

FISHER[®]

MANUFACTURING COMPANY
Commercial Faucets Since 1936

CATALOG NO. 25



WWW.FISHERFAUCETS.COM | 800-421-6162

TABLE OF CONTENTS

WARRANTY

FAMILY	CONTENT	PAGE	FAMILY	CONTENT	PAGE	
½" Kitchen Faucets - Brass	½" Sink Faucets - Brass	1-3	½" Pre-rinse Units -Stainless Steel	Pre-rinse Sub Accessories - Brass	6	
	½" Bar & Hand Sink & Lavatory Faucets - Brass	4-5		Pre-rinse Accessories - Brass	7	
	½" Pot Filler Faucets- Brass	6		½" Pre-rinse Control Valve -Stainless Steel	4-5	
	Service Sink Faucets - Brass	6-7		Pre-rinse Sub Accessories -Stainless Steel	6	
	½" Control Valves - Brass	8-9		Pre-rinse Accessories -Stainless Steel	7	
	½" Faucet Components & Accessories - Brass	10-11		Scrap & Fittings - Brass	Dish Machine & Scrap Fittings - Brass	1-2
	Wallmount vs Backsplash	12			½" Pot Filler Hose & Glass Filler Units - Brass	Pot Filler Hose & Glass Filler Unit - Brass
½" Kitchen Faucets - Stainless Steel	½" Sink Faucets - Stainless Steel	1-3	½" Hose Unit Accessories - Brass	3		
	½" Bar & Hand Sink & Faucets - Stainless Steel	4-5	½" Utility & Pot Filler Control Valves - Brass	4-5		
	½" Pot Filler Faucets - Stainless Steel	6	Hose, Pot and Glass Filler Sub Assemblies - Brass	6-7		
	½" Control Valves - Stainless Steel	7-8	Reel Rinse Units	Reel Rinse Units	1-3	
	½" Faucet Components & Accessories - Stainless Steel	9-10		Reel Rinse Units Installation Kits	4-5	
	Navigator Electronic Sensor Faucets	Sensor Faucets	1-2	Reel Rinse Mounting	Reel Rinse Mounting	6, 8-9
Dipperwell Faucets - Brass		Dipperwell Faucet - Brass	1-2		Drinking	Drinking
		¾" Faucets, Components & Accessories	¾" Faucets & Components	1-2		Drinking & Drain Accessories
Foot and Knee Valves - Brass	Foot and Knee Valves - Brass		1-3	Glass Fillers - Brass	Glass Filler - Brass	1-2
	Foot and Knee Valves Components - Brass	4	Glass Fillers - Stainless Steel		Glass Filler - Stainless Steel	1-2
Foot and Knee Valves - Stainless Steel	Foot and Knee Valves - Stainless Steel	1-3		½" Control Valves - Brass	1-2	
	Foot and Knee Valves Components - Stainless Steel	4	½" Control Valves - Stainless Steel	3-4		
½" Pre-rinse Units - Brass	½" Pre-rinse Units - Brass	1-3	Kitchen Faucets	5-8		
	½" Pre-rinse Control Valves - Brass	4-5	½" & ¾" Kitchen Faucet Accessories	9-10		
			Components	11-14		

LIMITED WARRANTY

READ THIS LIMITED WARRANTY BEFORE INSTALLING OR USING THIS PRODUCT. IF THESE TERMS ARE NOT ACCEPTABLE TO YOU, IMMEDIATELY RETURN THIS PRODUCT TO FISHER MANUFACTURING COMPANY OR THE DEALER WHICH YOU BOUGHT THIS ITEM(S) FROM BEFORE INSTALLING AND/OR USING THESE PRODUCTS.

Fisher Manufacturing Company makes the following limited warranties. These limited warranties extend to the original Fisher Manufacturing Company purchaser only and are not eligible to be transferred.

Fisher Manufacturing Company warrants its products and parts thereof (except as noted below) against defects in materials or workmanship for a period shown below on the chart after the date of the original purchase. During this period Fisher Manufacturing Company will replace a defective product or part without charge to you, provided that the entire product is delivered to Fisher Manufacturing Company. All transportation and insurance charges for shipping the product to and from Fisher Manufacturing Company must be provided by you. Charges for transportation and insurance may, at the option of Fisher Manufacturing Company, be refunded depending upon our investigation of the warranty claim. This warranty does not cover the external finish (except at the date of the original purchase) or labor costs not specifically authorized by Fisher Manufacturing Company.

EFFECTIVE JANUARY 1, 2021

PRODUCT DESCRIPTION	WARRANTY PERIOD
Chrome Coated Brass	4 Years
Stainless Steel	10 Years
DrainKing Waste Valves	99 Year Warranty (Lever Handle - 1 Year)
Motion Sensor Faucets	3 Years
Hose Reels Powder Coated Steel	2 Years
Hose Reels Stainless Steel	2 Years

PURCHASERS RESPONSIBILITY

The above warranties are subject to the following conditions:

- You must retain your original bill of sale or other proof of purchase.
- You must notify Fisher Manufacturing Company within thirty (30) days after you discover a defective product or part.
- These warranties are effective only if the product is purchased and operated in the U.S.A.
- All warranty servicing of this product must be made by Fisher Manufacturing Company.
- The warranties do not extend to any product or parts which have been subjected to misuse, neglect, accident, improper installation, improper maintenance or use in violation of the instructions furnished by us, or to units which have been altered, modified or repaired without authorization from Fisher Manufacturing Company.

STEP BY STEP PROCEDURES

To obtain warranty servicing you should:

- Contact Fisher Manufacturing Company for warranty service within thirty (30) days after defective product or part is discovered. Fisher Manufacturing Company may be consulted regarding warranty service at the following address and phone numbers.
- Arrange for the delivery of the product or part to Fisher Manufacturing Company. Products shipped to Fisher must be insured and properly packed, preferably in the original carton, and a letter explaining the defect. Also, a copy of the bill of sale or other proof of purchase must be enclosed. You must pay all transportation and insurance charges.

FISHER MANUFACTURING COMPANY

PO BOX 60
TULARE, CA 9327

PHONE: (800)421-6162
FAX: (800)832-8238

THESE WARRANTIES AND REMEDIES ARE IN LIEU OF ALL OTHER WARRANTIES EXPRESSED, IMPLIED, OR STATUTORY. ALL OTHER OBLIGATIONS OR LIABILITIES (INCLUDING NEGLIGENCE) OF FISHER MANUFACTURING COMPANY. ALL IMPLIED WARRANTIES OF MERCHANT ABILITY AND FITNESS FOR A PARTICULAR PURPOSE WHICH EXCEED THE OBLIGATIONS AND TIME PERIODS STATED IN THE WARRANTIES ARE HEREBY DISCLAIMED AND EXCLUDED. Some states do not allow limitations on how long an implied warranty lasts, so the above information may not apply to you. IN NO EVENT SHALL FISHER MANUFACTURING COMPANY BE LIABLE FOR CONSEQUENTIAL OR INCIDENTAL DAMAGES. Some states do not allow the exclusion or limitation of incidental or consequential damages, so the above limit on or exclusion may not apply to you.

No person, agent, distributor, dealer, service station or company is authorized to change, modify, or extend the terms of these warranties in any manner whatsoever. The time within which action must be commenced to enforce any obligation of Fisher Manufacturing Company arising under this warranty or any implied warranty, or under an statute, or law of the United States or any state thereof, is hereby limited to one year from the date of the accrual of the cause of action. This warranty gives you specific legal rights, and you may also have other rights, which may vary, from state to state.

P.O. BOX 60 – TULARE, CA 93275-0060
1900 S. "O" STREET – TULARE, CA 93274-6850
PH (800) 421-6162 FAX (800) 832-8238
customer@fisherfaucets.com | www.fisherfaucets.com

WE BELIEVE IN

Fisher is a world leader in commercial plumbing equipment, as well as an enthusiastic supporter of causes which benefit the world.



THE CULINARY INSTITUTE OF AMERICA

We've Pledged Our Support Culinary Institute of America

Fisher Manufacturing is supporting today's top culinary students and investing in the education of our country's future chefs. That's why we've partnered with the Culinary Institute of America's to provide an annual scholarship for the next five years. Fisher is very proud to provide financial support to these deserving students.



CHARITY WATER

Fisher Manufacturing Helps Fund a Life-Giving Water Project in Ethiopia

Fisher Manufacturing has partnered with Charity: Water to build a well in Ethiopia, where is estimated that some 61 million people lack access to safe water, and where many walk more than three hours to collect it. Fisher believes in bringing clean, safe drinking water to people in developing countries.



DIGDEEP

We've Pledged Our Support DIGDEEP

Fisher Manufacturing has partnered with DIGDEEP and believes in bringing clean running water to the families who need it most. DIGDEEP is a human rights nonprofit organization dedicated to ensuring that every American has clean, running water forever.

ABOUT FISHER

Since 1936, Fisher Manufacturing has been dedicated to providing its customers with the most advanced commercial plumbing systems available. For three generations the Fisher Family has adhered to a strict **dedication of consistent performance, product dependability** and **overall value**. You know that you've installed the best when you install Fisher!

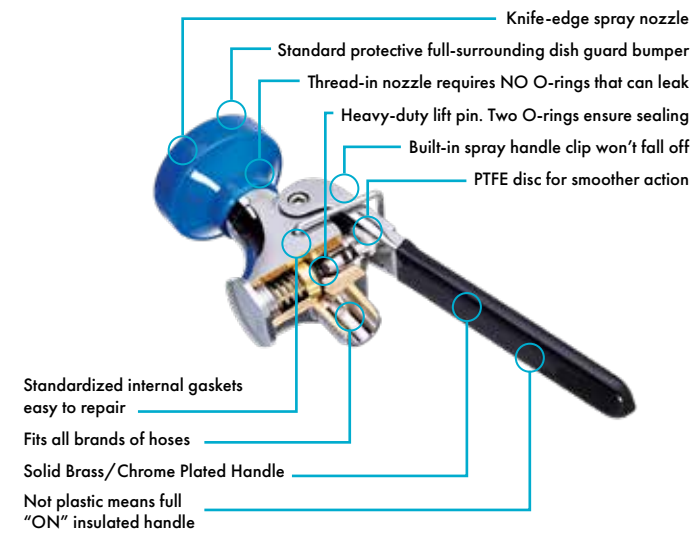
Fisher hardware is manufactured with a standardization of internal mechanisms. All chrome plating is triple plated - copper, nickel, and chrome - for durability. Every fixture we make is rigorously tested in both our modern in-house testing center and in actual field situations under extreme conditions.

Before we make our products available, every detail is thoroughly checked and re-checked, and must pass each and every test so you get proven performance...**Guaranteed!**

We invite you to explore our company, family of brass and stainless steel products, and technical support information for a more in-depth look at why Fisher Manufacturing is the world's leader in commercial plumbing equipment and hardware specialties.



ULTRA SPRAY VALVE

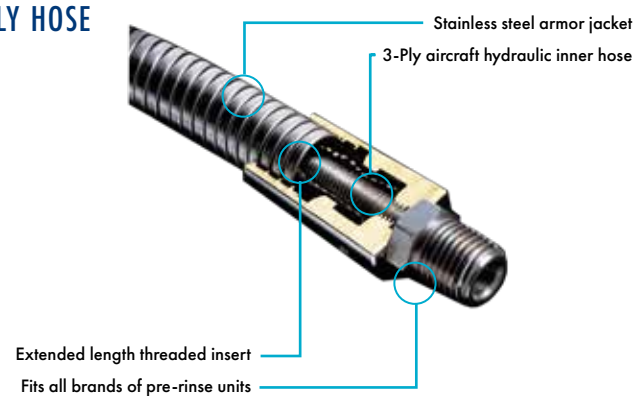


Guaranteed for 1 Million Cycles

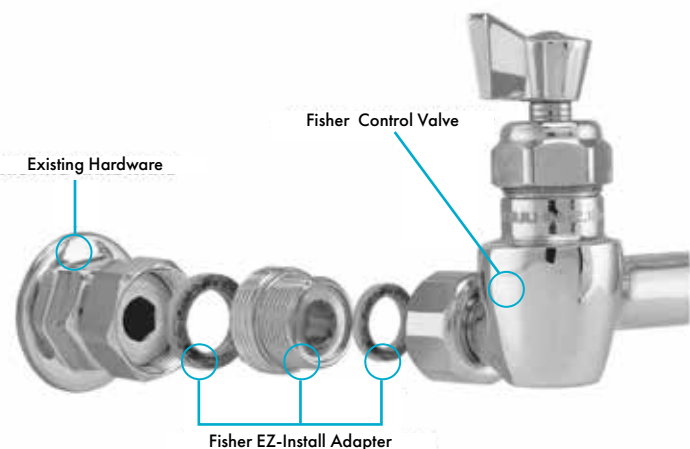
CHEM TEE



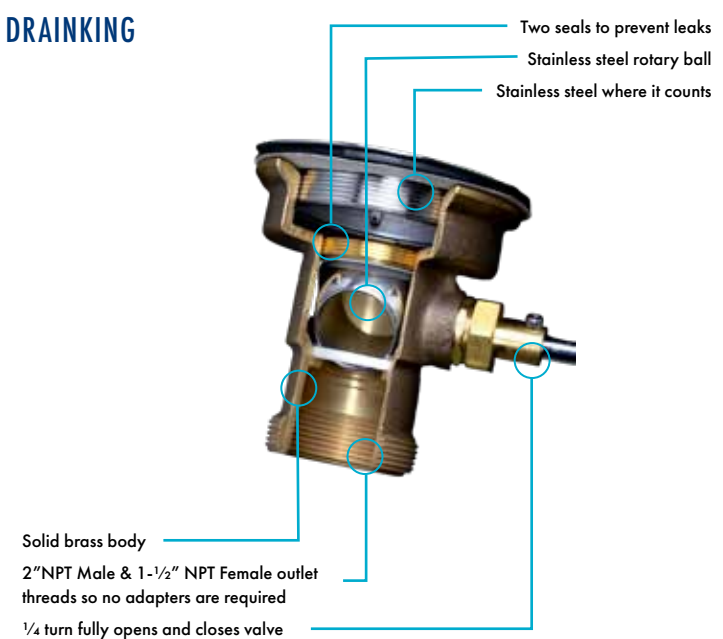
3-PLY HOSE



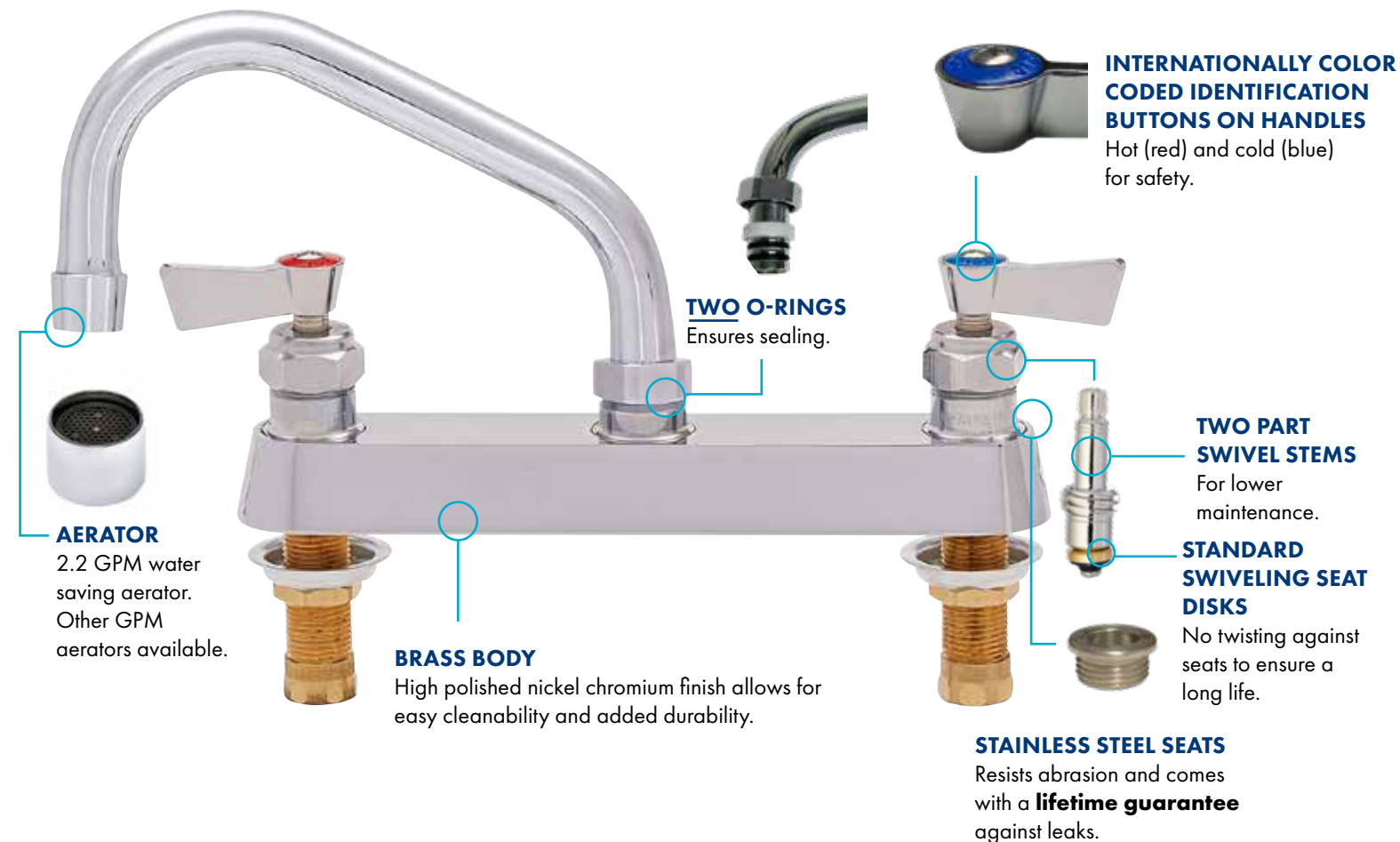
EZ INSTALL ADAPTERS



DRAINING



Industry leading quality, reliability, and savings in cost of ownership, have helped make Fisher faucets an industry standard. They exceed customer expectations in multiple markets from restaurants and bars, to educational, healthcare, grocery/retail, and hospitality facilities. Fisher now has a 4 year warranty on brass.



SPOUT CHOICES



HANDLE TYPES





8" BACKSPLASH SINK FAUCETS

BRASS	DESCRIPTION
13234	8" BACKSPLASH W/ 6" SWING SPOUT
13269	8" BACKSPLASH W/ 12" SWING SPOUT
64734	8" BACKSPLASH W/ 6" SWING SPOUT & EZ INSTALL ADAPTERS
64769	8" BACKSPLASH W/ 12" SWING SPOUT & EZ INSTALL ADAPTERS
ACCESSORIES	
3000-0003	07" DJ
75626	WRIST HANDLES (2 EACH)
64211	CLOSE ELBOWS (2 EACH)
64351	SUPPLY LINES 1/2" F X 1/2" M X 36" LONG 2 EACH (REQUIRES CLOSE ELBOWS)
2976	VANDAL RESISTANT KIT



4" BACKSPLASH SINK FAUCETS

BRASS	DESCRIPTION
3610	4" BACKSPLASH W/ 6" SWING SPOUT
3613	4" BACKSPLASH W/ 12" SWING SPOUT
ACCESSORIES	
3000-0003	07" DJ
75626	WRIST HANDLES (2 EACH)
64211	CLOSE ELBOWS 1/2" (2 EACH)
64351	SUPPLY LINES 1/2" F X 1/2" M X 36" LONG 2 EACH (REQUIRES CLOSE ELBOWS)
2976	VANDAL RESISTANT KIT



8" DECK SINK FAUCETS

BRASS	DESCRIPTION
3310	8" DECK W/ 6" SWING SPOUT
3313	8" DECK W/ 12" SWING SPOUT
ACCESSORIES	
75625	SUPPLY LINES 1/2" F X 1/2" F X 36" LONG (2 EACH)
3000-0003	07" DJ
75626	WRIST HANDLES (2 EACH)
2976	VANDAL RESISTANT KIT



4" DECK SINK FAUCETS

BRASS	DESCRIPTION
3510	4" DECK W/ 6" SWING SPOUT
3513	4" DECK W/ 12" SWING SPOUT
ACCESSORIES	
3000-0003	07" DJ
75626	WRIST HANDLES (2 EACH)
75625	SUPPLY LINES 1/2" F X 1/2" F X 36" LONG (2 EACH)
2976	VANDAL RESISTANT KIT



8" ADJ. WALL SINK FAUCETS

BRASS	DESCRIPTION
3250	8" ADJ. WALL W/ 6" SWING SPOUT
3253	8" ADJ. WALL W/ 12" SWING SPOUT
ACCESSORIES	
3000-0003	07" DJ
75626	WRIST HANDLES (2 EACH)
64238	BACKSPLASH MOUNTING CLOSE NIPPLES 1/2" (2 EACH)
64211	CLOSE ELBOWS 1/2" 2 EACH (REQUIRES BACKSPLASH MOUNTING NIPPLES)
64351	SUPPLY LINES 1/2" F X 1/2" M X 36" LONG 2 EACH (REQUIRES CLOSE ELBOWS)
2976	VANDAL RESISTANT KIT
75557	EZ INSTALL ADAPTER KIT WITH T&S, CHICAGO & KROWNE ADAPTERS KIT



SINGLE WALL/BACKSPLASH SINK FAUCETS

BRASS	DESCRIPTION
3710	SINGLE WALL/BACKSPLASH W/ 6" SWING SPOUT
3713	SINGLE WALL/BACKSPLASH W/ 12" SWING SPOUT
ACCESSORIES	
3000-0003	07" DJ
3984	WRIST HANDLE
2400-2103	CLOSE ELBOW 1/2"
10006	SUPPLY LINES 1/2" F X 1/2" M X 36" LONG (REQUIRES CLOSE ELBOW)
2976	VANDAL RESISTANT KIT

*INCLUDES NIPPLE FOR BACKSPLASH MOUNTING



DUAL DECK SINK FAUCETS

BRASS	DESCRIPTION
3110	DUAL DECK W/ 6" SWING SPOUT
3113	DUAL DECK W/ 12" SWING SPOUT
ACCESSORIES	
3000-0003	07" DJ
75626	WRIST HANDLES (2 EACH)
2976	VANDAL RESISTANT KIT



SINGLE DECK SINK FAUCETS

BRASS	DESCRIPTION
3010	SINGLE DECK W/ 6" SWING SPOUT
3013	SINGLE DECK W/ 12" SWING SPOUT
ACCESSORIES	
3000-0003	07" DJ
3984	WRIST HANDLE
10022	SUPPLY LINES 1/2" F X 1/2" F X 36" LONG
2976	VANDAL RESISTANT KIT



4" BACKSPLASH BAR & HAND SINK FAUCETS

BRASS	DESCRIPTION
1996	4" BACKSPLASH W/ 6" SWIVEL GOOSENECK SPOUT
3615	4" BACKSPLASH W/ 12" SWIVEL GOOSENECK SPOUT
2003	4" BACKSPLASH W/ 6" RIGID GOOSENECK SPOUT
3616	4" BACKSPLASH W/ 12" RIGID GOOSENECK SPOUT
ACCESSORIES	
75626	WRIST HANDLES (2 EACH)
74223	0.35 GPM PCA SPRAY SPOUT END
64211	CLOSE ELBOWS 1/2" (2 EACH)
64351	SUPPLY LINES 1/2" F X 1/2" M X 36" LONG 2 EACH (REQUIRES CLOSE ELBOWS)
2976	VANDAL RESISTANT KIT



4" DECK BAR & HAND SINK FAUCETS

BRASS	DESCRIPTION
3525	4" DECK W/ 6" SWIVEL GOOSENECK SPOUT
3515	4" DECK W/ 12" SWIVEL GOOSENECK SPOUT
3526	4" DECK W/ 6" RIGID GOOSENECK SPOUT
3516	4" DECK W/ 12" RIGID GOOSENECK SPOUT
ACCESSORIES	
75626	WRIST HANDLES (2 EACH)
74223	0.35 GPM PCA SPRAY SPOUT END
75625	SUPPLY LINES 1/2" F X 1/2" F X 36" LONG (2 EACH)
2976	VANDAL RESISTANT KIT



4" DECK LAVATORY FAUCETS

BRASS	DESCRIPTION
1744	4" DECK W/ LAVATORY SPOUT
ACCESSORIES	
75626	WRIST HANDLES (2 EACH)
75625	SUPPLY LINES 1/2" F X 1/2" F X 36" LONG (2 EACH)
2976	VANDAL RESISTANT KIT



SINGLE DECK LAVATOR FAUCETS

BRASS	DESCRIPTION
1731	SINGLE DECK W/LAVATORY SPOUT
ACCESSORIES	
3984	WRIST HANDLE
10022	SUPPLY LINES 1/2" F X 1/2" F X 36" LONG



DUAL DECK BAR & HAND SINK FAUCETS

BRASS	DESCRIPTION
1872	DUAL DECK W/ 6" SWIVEL GOOSENECK SPOUT
3115	DUAL DECK W/ 12" SWIVEL GOOSENECK SPOUT
3126	DUAL DECK W/ 6" RIGID GOOSENECK SPOUT
3116	DUAL DECK W/ 12" RIGID GOOSENECK SPOUT
ACCESSORIES	
75626	WRIST HANDLES (2 EACH)
74223	0.35 GPM PCA SPRAY SPOUT END
2976	VANDAL RESISTANT KIT

SINGLE DECK BAR & HAND SINK BASES

BRASS	DESCRIPTION
1856	SINGLE DECK W/ 6" SWIVEL GOOSENECK SPOUT
3015	SINGLE DECK W/ 12" SWIVEL GOOSENECK SPOUT
3026	SINGLE DECK W/ 6" RIGID GOOSENECK SPOUT
3016	SINGLE DECK W/ 12" RIGID GOOSENECK SPOUT
ACCESSORIES	
10022	SUPPLY LINES 1/2" F X 1/2" F X 36" LONG
74223	0.35 GPM PCA SPRAY SPOUT END
3984	WRIST HANDLE
2976	VANDAL RESISTANT KIT

BACKSPLASH BAR & HAND SINK BASES

BRASS	DESCRIPTION
2038	BACKSPLASH BASE W/ 6" SWIVEL GOOSENECK SPOUT
3915	BACKSPLASH BASE W/ 12" SWIVEL GOOSENECK SPOUT
9131	BACKSPLASH BASE W/ 6" RIGID GOOSENECK SPOUT
3916	BACKSPLASH BASE W/ 12" RIGID GOOSENECK SPOUT
ACCESSORIES	
74223	0.35 GPM PCA SPRAY SPOUT END
2400-2103	CLOSE ELBOWS 1/2"
10006	SUPPLY LINES 1/2" F X 1/2" M X 36" LONG (REQUIRES CLOSE ELBOW)
2976	VANDAL RESISTANT KIT

*INCLUDES NIPPLE FOR BACKSPLASH MOUNTING

DECK BASE BAR & HAND SINK BASES

BRASS	DESCRIPTION
1929	DECK BASE W/ 6" SWIVEL / GOOSENECK SPOUT
3815	DECK BASE W/ 12" SWIVEL / GOOSENECK SPOUT
1937	DECK BASE W/ 6" RIGID GOOSENECK SPOUT
3816	DECK BASE W/ 12" RIGID GOOSENECK SPOUT
ACCESSORIES	
74223	0.35 GPM PCA SPRAY SPOUT END
10022	SUPPLY LINES 1/2" F X 1/2" F X 36" LONG
2976	VANDAL RESISTANT KIT





CHINESE RANGE FAUCET

BRASS	DESCRIPTION
56006	CHINESE RANGE W/ 12" SWING SPOUT
ACCESSORIES	
3000-0003	07" DJ
3984	WRIST HANDLE
2400-2103	CLOSE ELBOW 1/2"
10006	SUPPLY LINES 1/2F X 1/2M X 36" LONG (REQUIRES CLOSE ELBOWS)
2976	VANDAL RESISTANT KIT



8" ADJ. WALL SERVICE SINK FAUCETS

BRASS	DESCRIPTION
2445	8" ADJ. WALL W/ 3" SERVICE SINK SPOUT
19828	8" ADJ. WALL W/ 3" SERVICE SINK SPOUT & EZ INSTALL ADAPTERS
ACCESSORIES	
75626	WRIST HANDLES (2 EACH)
64238	BACKSPLASH MOUNTING CLOSE NIPPLE 1/2" (2 EACH)
64211	CLOSE ELBOWS 1/2" 2 EACH (REQUIRES BACKSPLASH MOUNTING NIPPLES)
64351	SUPPLY LINES 1/2F X 1/2M X 36" LONG 2 EACH (REQUIRES CLOSE ELBOWS)
2976	VANDAL RESISTANT KIT



8" ADJ. POT FILLER FAUCETS

BRASS	DESCRIPTION
4230	8" ADJ. WALL W/ 12" POT FILLER SPOUT & 07" DJ
4231	8" ADJ. WALL W/ 12" POT FILLER SPOUT & 12" DJ
ACCESSORIES	
75626	WRIST HANDLES (2 EACH)
64238	BACKSPLASH 1/2" MOUNTING CLOSE NIPPLE (2 EACH)
64211	CLOSE ELBOWS 1/2" (REQUIRES BACKSPLASH MOUNTING NIPPLES) (2 EACH)
64351	SUPPLY LINES 1/2F X 1/2M X 36" LONG (REQUIRES CLOSE ELBOWS) (2 EACH)
2976	VANDAL RESISTANT KIT
75557	EZ INSTALL ADAPTER KIT WITH T&S, CHICAGO, & KROWNE ADAPTERS KIT



8" ADJ. WALL SERVICE SINK FAUCETS

BRASS	DESCRIPTION
19798	8" ADJ. WALL W/ 6" SERVICE SINK SPOUT
8253	8" ADJ. WALL W/ 6" SERVICE SINK SPOUT & EZ INSTALL ADAPTERS
ACCESSORIES	
75626	WRIST HANDLES (2 EACH)
64238	BACKSPLASH MOUNTING CLOSE NIPPLE 1/2" (2 EACH)
64211	CLOSE ELBOWS 1/2" 2 EACH (REQUIRES BACKSPLASH MOUNTING NIPPLES)
64351	SUPPLY LINES 1/2F X 1/2M X 36" LONG 2 EACH (REQUIRES CLOSE ELBOWS)
2976	VANDAL RESISTANT KIT



SINGLE WALL/BACKSPLASH POT FILLER FAUCETS

BRASS	DESCRIPTION
4730	SINGLE WALL / BACKSPLASH W/ 12" POT FILLER SPOUT & 07" DJ
4731	SINGLE WALL / BACKSPLASH W/ 12" POT FILLER SPOUT & 12" DJ
ACCESSORIES	
3984	WRIST HANDLE
2400-2103	CLOSE ELBOW 1/2"
10006	SUPPLY LINES 1/2F X 1/2M X 36" LONG (REQUIRES CLOSE ELBOWS)
2976	VANDAL RESISTANT KIT

*INCLUDES NIPPLE FOR BACKSPLASH MOUNTING



8" ADJ. WALL W/ STOPS SERVICE SINK FAUCETS

BRASS	DESCRIPTION
2453	8" ADJ. WALL W/ STOPS W/ 3" SERVICE SINK SPOUT
ACCESSORIES	
75626	WRIST HANDLES (2 EACH)
64238	BACKSPLASH MOUNTING CLOSE NIPPLE 1/2" (2 EACH)
64211	CLOSE ELBOWS 1/2" 2 EACH (REQUIRES BACKSPLASH MOUNTING NIPPLES)
64351	SUPPLY LINES 1/2F X 1/2M X 36" LONG 2 EACH (REQUIRES CLOSE ELBOWS)
2976	VANDAL RESISTANT KIT
75557	EZ INSTALL ADAPTER KIT WITH T&S, CHICAGO & KROWNE ADAPTERS



SINGLE WALL / BACKSPLASH SERVICE SINK FAUCETS

BRASS	DESCRIPTION
29556	SINGLE WALL / BACKSPLASH W/ 3" SERVICE SINK SPOUT
ACCESSORIES	
3984	WRIST HANDLE
2400-2103	CLOSE ELBOW
10006	SUPPLY LINES 1/2F X 1/2M X 36" LONG (REQUIRES CLOSE ELBOWS)
2976	VANDAL RESISTANT KIT

*INCLUDES NIPPLE FOR BACKSPLASH MOUNTING



8" ADJ. WALL W/ STOPS SERVICE SINK FAUCETS

BRASS	DESCRIPTION
8261	8" ADJ. WALL W/ STOPS W/ 6" SERVICE SINK SPOUT
ACCESSORIES	
75626	WRIST HANDLES (2 EACH)
64238	BACKSPLASH MOUNTING CLOSE NIPPLE 1/2" (2 EACH)
64211	CLOSE ELBOWS 1/2" 2 EACH (REQUIRES BACKSPLASH MOUNTING NIPPLES)
64351	SUPPLY LINES 1/2F X 1/2M X 36" LONG 2 EACH (REQUIRES CLOSE ELBOWS)
2976	VANDAL RESISTANT KIT
75557	EZ INSTALL ADAPTER KIT WITH T&S, CHICAGO & KROWNE ADAPTERS



8" BACKSPASH CONTROL VALVE

BRASS LEVER HANDLES	DESCRIPTION
13153	SWIVEL OUTLET / SWIVEL STEMS
13161	SWIVEL OUTLET / CHECK STEMS
13188	3/8" FEMALE OUTLET / SWIVEL STEMS



8" DECK CONTROL VALVE

BRASS LEVER HANDLES	DESCRIPTION
3300	SWIVEL OUTLET / SWIVEL STEMS
3300-CV	SWIVEL OUTLET / CHECK STEMS
2300	3/8" FEMALE OUTLET / SWIVEL STEMS



8" ADJ. WALL CONTROL VALVE

BRASS LEVER HANDLES	DESCRIPTION
3200	SWIVEL OUTLET / SWIVEL STEMS
3200-CV	SWIVEL OUTLET / CHECK STEMS
2200	3/8" FEMALE OUTLET / SWIVEL STEMS



4" BACKSPASH CONTROL VALVE

BRASS LEVER HANDLES	DESCRIPTION
3600	SWIVEL OUTLET / SWIVEL STEMS
3600-CV	SWIVEL OUTLET / CHECK STEMS
2600	3/8" FEMALE OUTLET / SWIVEL STEMS



4" DECK CONTROL VALVE

BRASS LEVER HANDLES	DESCRIPTION
3500	SWIVEL OUTLET / SWIVEL STEMS
3500-CV	SWIVEL OUTLET / CHECK STEMS
2500	3/8" FEMALE OUTLET / SWIVEL STEMS



WIDESPREAD CONTROL VALVE

BRASS LEVER HANDLES	DESCRIPTION
70173	SWIVEL OUTLET / SWIVEL STEMS
70204	3/8" FEMALE OUTLET / SWIVEL STEMS



DUAL DECK CONTROL VALVE

BRASS LEVER HANDLES	DESCRIPTION
13064	SWIVEL OUTLET / SWIVEL STEMS
13072	SWIVEL OUTLET / CHECK STEMS
10529	3/8" FEMALE OUTLET / SWIVEL STEMS



SINGLE WALL / BACKSPASH CONTROL VALVE

BRASS LEVER HANDLES	DESCRIPTION
3700	SWIVEL OUTLET / SWIVEL STEMS
2700	3/8" FEMALE OUTLET / SWIVEL STEMS

*INCLUDES NIPPLE FOR BACKSPASH MOUNTING



SINGLE DECK CONTROL VALVE

BRASS LEVER HANDLES	DESCRIPTION
12815	SWIVEL OUTLET / SWIVEL STEMS
12890	3/8" FEMALE OUTLET / SWIVEL STEMS



CHINESE RANGE CONTROL VALVE

BRASS LEVER HANDLES	DESCRIPTION
4750-0000	SWIVEL OUTLET / SWIVEL STEMS



SINGLE BACKSPASH BASE

BRASS LEVER HANDLES	DESCRIPTION
3900	SWIVEL OUTLET
3900-0002	3/8" FEMALE OUTLET



SINGLE DECK BASE

BRASS LEVER HANDLES	DESCRIPTION
3800	SWIVEL OUTLET
2903	3/8" FEMALE OUTLET



1/2" SWING SPOUTS

BRASS	DESCRIPTION
3960	6" SWING SPOUT
3961	8" SWING SPOUT
3962	10" SWING SPOUT
3963	12" SWING SPOUT
3964	14" SWING SPOUT
3967	16" SWING SPOUT

*SPOUT REQUIRE CONTROL VALVES WITH SWIVEL OUTLET AND SWIVEL STEMS



1/2" SWIVEL DOUBLE JOINT

BRASS	DESCRIPTION
3000-0003	7" SWIVEL DOUBLE JOINT
4000-0002	13" SWIVEL DOUBLE JOINT

*DJ'S REQUIRE CONTROL VALVES WITH SWIVEL OUTLETS



1/2" SWIVEL GOOSENECK SPOUTS

BRASS	DESCRIPTION
3968	6" SWIVEL GOOSENECK SPOUT
3965	12" SWIVEL GOOSENECK SPOUT

*SPOUT REQUIRE CONTROL VALVES WITH SWIVEL OUTLET AND SWIVEL STEMS



1/2" RIGID GOOSENECK SPOUTS

BRASS	DESCRIPTION
3969	6" RIGID GOOSENECK SPOUT
3966	12" RIGID GOOSENECK SPOUT

*SPOUT REQUIRE CONTROL VALVES WITH RIGID OUTLET AND SWIVEL STEMS



1/2" SWIVEL CONTROL SPOUTS

BRASS	DESCRIPTION
4000-0001	11" SWIVEL CONTROL SPOUT

*SPOUT REQUIRE CONTROL VALVES WITH SWIVEL OUTLET AND CHECK STEMS



EZ INSTALL ADAPTER KITS

BRASS	DESCRIPTION
75557	EZ INSTALL ADAPTER KIT WITH T&S, CHICAGO & KROWNE ADAPTERS KIT



1/2" SWIVEL STEM REPAIR KITS

BRASS	DESCRIPTION
3000-0000	RH SWIVEL REPAIR STEM KIT
3000-0001	LH SWIVEL REPAIR STEM KIT



1/2" CHECK STEM REPAIR KITS

BRASS	DESCRIPTION
2000-0004	RH CHECK REPAIR STEM
2000-0005	LH CHECK REPAIR STEM



WRIST HANDLES

BRASS	DESCRIPTION
3984	WRIST HANDLE
75626	WRIST HANDLE (2 EACH)



BACKSPLASH MOUNTING NIPPLES FOR WALL FAUCETS

BRASS	DESCRIPTION
64238	BACKSPLASH MOUNTING CLOSE NIPPLES 1/2" FOR WALL FAUCETS (2 EACH)



ELBOWS FOR WALL FAUCETS

BRASS	DESCRIPTION
2400-2103	CLOSE ELBOW FOR BACKSPLASH CONTROL VALVE OR WALL CONTROL VALVE WITH BACKSPLASH MOUNTING NIPPLE 1/2"
64211	CLOSE ELBOWS FOR BACKSPLASH CONTROL VALVES OR WALL CONTROL VALVES WITH BACKSPLASH MOUNTING NIPPLES 1/2" (2 EACH)



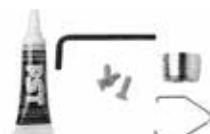
SUPPLY LINES

BRASS	DESCRIPTION
10006	SUPPLY LINE 1/2" FEMALE X 1/2" FEMALE X 36" LONG FOR DECK MOUNT CONTROL VALVES AND BASES (2 EACH)
64351	SUPPLY LINE 1/2" FEMALE X 1/2" MALE X 36" LONG FOR BACKSPLASH MOUNTED CONTROL VALVES WITH ELBOWS (2 EACH)
10022	SUPPLY LINE 1/2" FEMALE X 1/2" FEMALE X 36" LONG FOR DECK MOUNT CONTROL VALVE AND BASE
75625	SUPPLY LINE 1/2" FEMALE X 1/2" FEMALE X 36" LONG FOR DECK MOUNT CONTROL VALVES AND BASES (2 EACH)



SPOUT END ATTACHMENTS

BRASS	DESCRIPTION
74223	0.35 GPM PCA SPRAY SPOUT END
12564	2.20 GPM PERALATOR AERATOR
73450	5.00 GPM FULL FLOW PERALATOR AERATOR
75588	0.35 GPM PCA SPRAY SPOUT END FOR LAVATORY FAUCETS
75587	1.00 GPM PERALATOR AERATOR FOR LAVATORY FAUCETS



VANDAL RESISTANT KIT

BRASS	DESCRIPTION
2976	VANDAL RESISTANT KIT



KETTLE FILLER RISERS

BRASS	DESCRIPTION
72748	4" RISER
2927-4302	12" RISER
2927-4303	16" RISER
2927-4300	21" RISER

*RISERS REQUIRE SWIVEL ADAPTER & CONTROL VALVES WITH RIGID OUTLETS

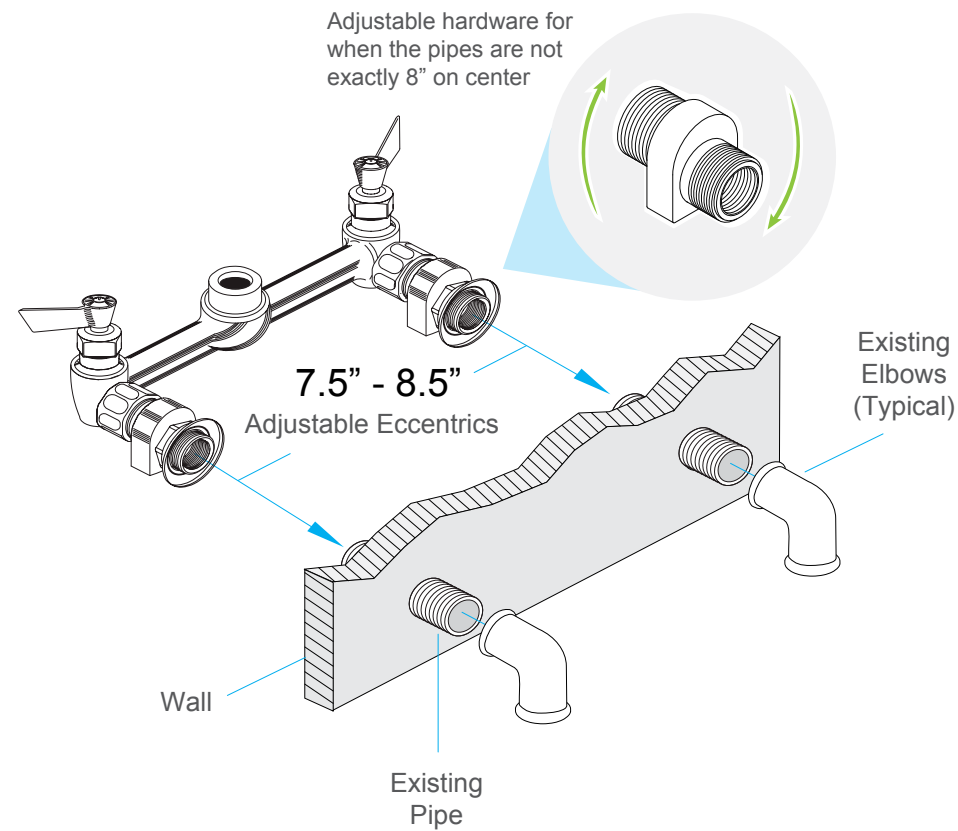


KETTLE FILLER SWIVEL ADAPTER

BRASS	DESCRIPTION
4000-3300	SWIVEL ADAPTER

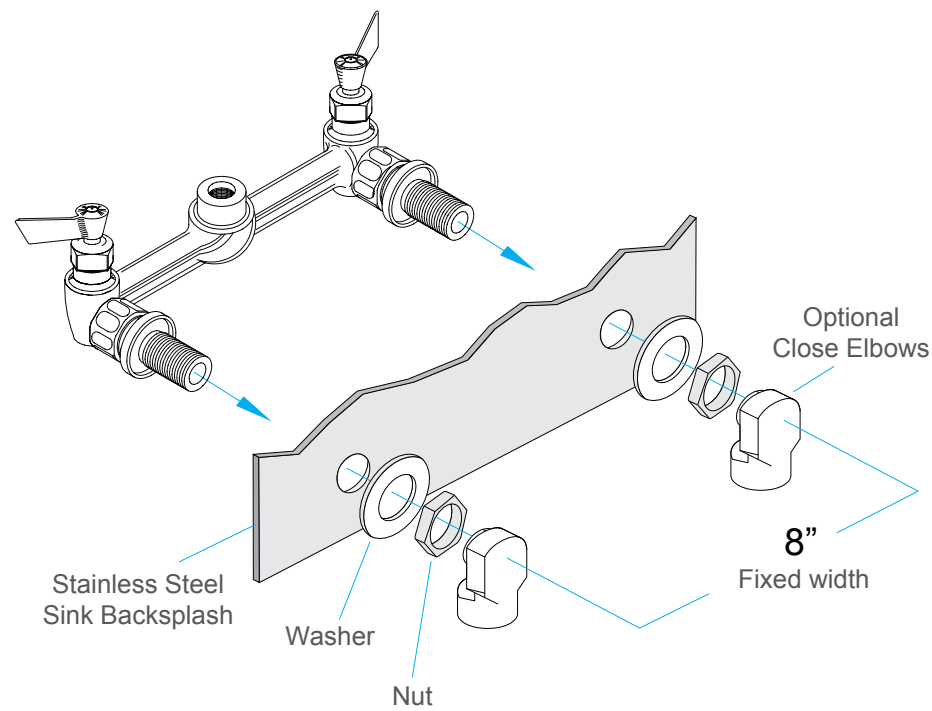
WALL MOUNT FAUCET

1/2" NPT Female inlet. Distance can be varied from 7.5" to 8.5" c/c.

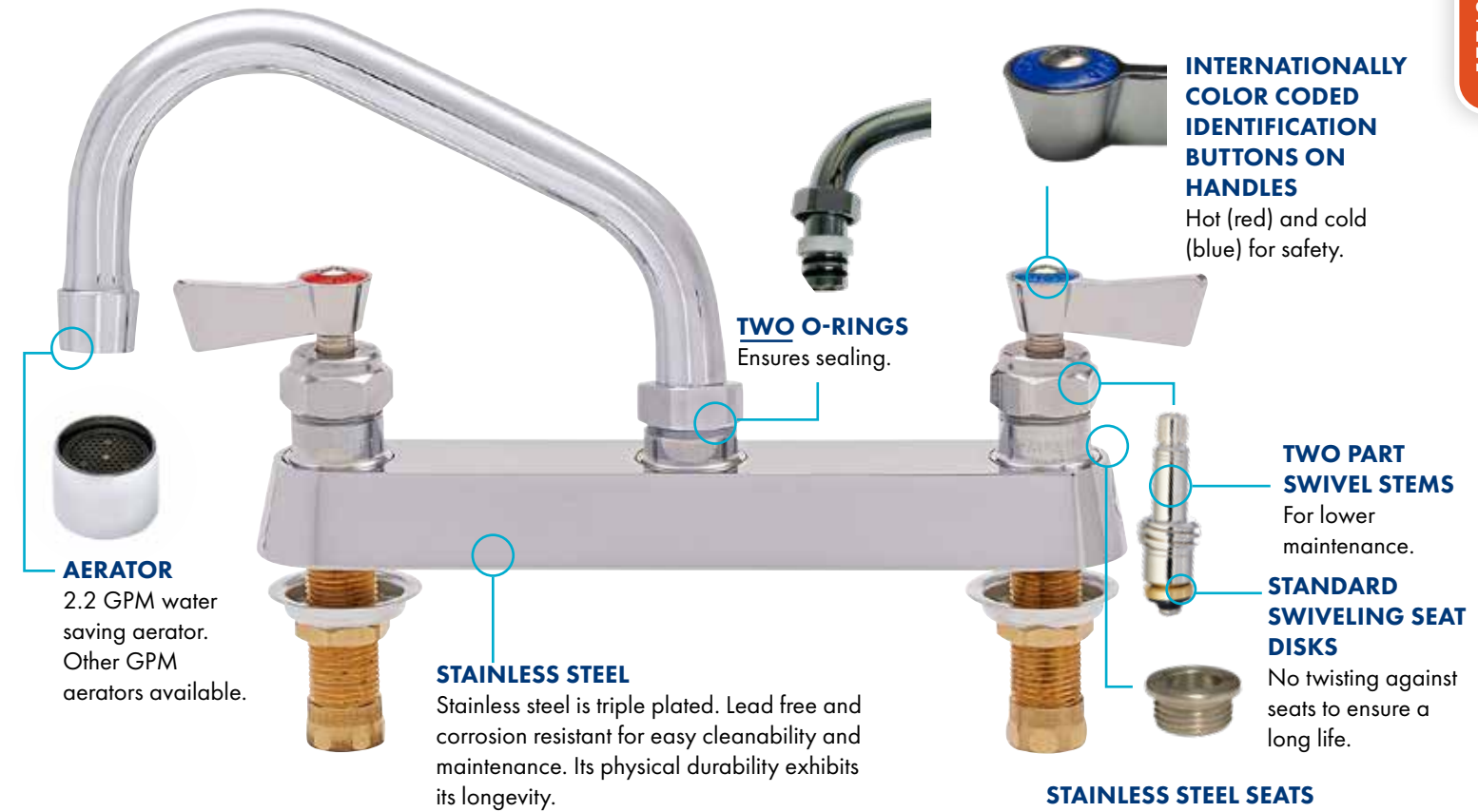


BACKSPLASH MOUNT FAUCET

1/2" NPT male inlet. Distance is fixed at 8" c/c.



Industry leading quality, reliability, and savings in cost of ownership, have helped make Fisher faucets an industry standard. They exceed customer expectations in multiple markets from restaurants and bars, to educational, healthcare, grocery/retail, and hospitality facilities. Fisher now has a 10 year warranty on stainless steel.





8" BACKSPLASH SINK FAUCETS

STAINLESS	DESCRIPTION
61220	8" BACKSPLASH W/ 6" SWING SPOUT
60836	8" BACKSPLASH W/ 12" SWING SPOUT
61204	8"BACKSPLASH W/6" SWING SPOUT & EZ INSTALL ADAPTERS
60801	8" BACKSPLASH W/12" SWING SPOUT & EZ INSTALL ADAPTERS
ACCESSORIES	
54461	07" DJ
75626	WRIST HANDLES (2 EACH)
71447	CLOSE ELBOWS (2 EACH)
64351	SUPPLY LINES 1/2F X 1/2M X 36" LONG 2 EACH (REQUIRES CLOSE ELBOWS)
2976	VANDAL RESISTANT KIT



4" BACKSPLASH SINK FAUCETS

STAINLESS	DESCRIPTION
62448	4" BACKSPLASH W/ 6" SWING SPOUT
62049	4" BACKSPLASH W/ 12" SWING SPOUT
ACCESSORIES	
54461	07" DJ
75626	WRIST HANDLES (2 EACH)
71447	CLOSE ELBOWS 1/2" (2 EACH)
64351	SUPPLY LINES 1/2F X 1/2M X 36" LONG 2 EACH (REQUIRES CLOSE ELBOWS)
2976	VANDAL RESISTANT KIT



8" DECK SINK FAUCETS

STAINLESS	DESCRIPTION
57630	8" DECK W/ 6" SWING SPOUT
57665	8" DECK W/ 12" SWING SPOUT
ACCESSORIES	
75625	SUPPLY LINES 1/2F X 1/2F X 36" LONG (2 EACH)
54461	07" DJ
75626	WRIST HANDLES (2 EACH)
2976	VANDAL RESISTANT KIT



4" DECK SINK FAUCETS

STAINLESS	DESCRIPTION
53740	4" DECK W/ 6" SWING SPOUT
53775	4" DECK W/ 12" SWING SPOUT
ACCESSORIES	
54461	07" DJ
75626	WRIST HANDLES (2 EACH)
75625	SUPPLY LINES 1/2F X 1/2F X 36" LONG (2 EACH)
2976	VANDAL RESISTANT KIT



8" ADJ. WALL SINK FAUCETS

STAINLESS	DESCRIPTION
53104	8" ADJ. WALL W/ 6" SWING SPOUT
53139	8" ADJ. WALL W/ 12" SWING SPOUT
ACCESSORIES	
54461	07" DJ
75626	WRIST HANDLES (2 EACH)
71439	BACKSPLASH MOUNTING CLOSE NIPPLES 1/2" (2 EACH)
71447	CLOSE ELBOWS 1/2" 2 EACH (REQUIRES BACKSPLASH MOUNTING NIPPLES)
64351	SUPPLY LINES 1/2F X 1/2M X 36" LONG 2 EACH (REQUIRES CLOSE ELBOWS)
2976	VANDAL RESISTANT KIT
70653	EZ INSTALL ADAPTER KIT WITH T&S, CHICAGO & KROWNE ADAPTERS KIT



SINGLE WALL/BACKSPLASH SINK FAUCETS

STAINLESS	DESCRIPTION
67601	SINGLE WALL/BACKSPLASH W/ 6" SWING SPOUT
67644	SINGLE WALL/BACKSPLASH W/ 12" SWING SPOUT
ACCESSORIES	
54461	07" DJ
3984	WRIST HANDLE
71498	CLOSE ELBOW 1/2"
10006	SUPPLY LINES 1/2F X 1/2M X 36" LONG (REQUIRES CLOSE ELBOW)
2976	VANDAL RESISTANT KIT

*INCLUDES NIPPLE FOR BACKSPLASH MOUNTING



DUAL DECK SINK FAUCETS

STAINLESS	DESCRIPTION
52760	DUAL DECK W/ 6" SWING SPOUT
52795	DUAL DECK W/ 12" SWING SPOUT
ACCESSORIES	
54461	07" DJ
75626	WRIST HANDLES (2 EACH)
2976	VANDAL RESISTANT KIT



SINGLE DECK SINK FAUCETS

STAINLESS	DESCRIPTION
58009	SINGLE DECK W/ 6" SWING SPOUT
58033	SINGLE DECK W/ 12" SWING SPOUT
ACCESSORIES	
54461	07" DJ
3984	WRIST HANDLE
10022	SUPPLY LINES 1/2F X 1/2F X 36" LONG
2976	VANDAL RESISTANT KIT



4" BACKSPLASH BAR & HAND SINK FAUCETS

STAINLESS	DESCRIPTION
62669	4" BACKSPLASH W/ 6" SWIVEL / RIGID GOOSENECK SPOUT
62502	4" BACKSPLASH W/ 12" SWIVEL / RIGID GOOSENECK SPOUT
ACCESSORIES	
75626	WRIST HANDLES (2 EACH)
41718	0.35 GPM PCA SPRAY SPOUT END
71447	CLOSE ELBOWS 1/2" (2 EACH)
64351	SUPPLY LINES 1/2F X 1/2M X 36" LONG 2 EACH (REQUIRES CLOSE ELBOWS)
2976	VANDAL RESISTANT KIT



SINGLE DECK BAR & HAND SINK BASES

STAINLESS	DESCRIPTION
58130	SINGLE DECK W/ 6" SWIVEL / RIGID GOOSENECK SPOUT
58149	SINGLE DECK W/ 12" SWIVEL / RIGID GOOSENECK SPOUT
ACCESSORIES	
10022	SUPPLY LINES 1/2F X 1/2F X 36" LONG
41718	0.35 GPM PCA SPRAY SPOUT END
3984	WRIST HANDLE
2976	VANDAL RESISTANT KIT



4" DECK BAR & HAND SINK FAUCETS

STAINLESS	DESCRIPTION
53872	4" DECK W/ 6" SWIVEL / RIGID GOOSENECK SPOUT
53880	4" DECK W/ 12" SWIVEL / RIGID GOOSENECK SPOUT
ACCESSORIES	
75626	WRIST HANDLES (2 EACH)
41718	0.35 GPM PCA SPRAY SPOUT END
75625	SUPPLY LINES 1/2F X 1/2F X 36" LONG (2 EACH)
2976	VANDAL RESISTANT KIT



BACKSPLASH BAR & HAND SINK BASES

STAINLESS	DESCRIPTION
47090	BACKSPLASH BASE W/ 6" SWIVEL / RIGID GOOSENECK SPOUT
47104	BACKSPLASH BASE W/ 12" SWIVEL / RIGID GOOSENECK SPOUT
ACCESSORIES	
41718	0.35 GPM PCA SPRAY SPOUT END
71498	CLOSE ELBOW 1/2"
10006	SUPPLY LINES 1/2F X 1/2M X 36" LONG (REQUIRES CLOSE ELBOW)
2976	VANDAL RESISTANT KIT

*INCLUDES NIPPLE FOR BACKSPLASH MOUNTING



DUAL DECK BAR & HAND SINK FAUCETS

STAINLESS	DESCRIPTION
52892	DUAL DECK W/ 6" SWIVEL / RIGID GOOSENECK SPOUT
52906	DUAL DECK W/ 12" SWIVEL / RIGID GOOSENECK SPOUT
ACCESSORIES	
75626	WRIST HANDLES (2 EACH)
41718	0.35 GPM PCA SPRAY SPOUT END
2976	VANDAL RESISTANT KIT



DECK BASE BAR & HAND SINK BASES

STAINLESS	DESCRIPTION
45748	DECK BASE W/ 6" SWIVEL / RIGID GOOSENECK SPOUT
46094	DECK BASE W/ 12" SWIVEL / RIGID GOOSENECK SPOUT
ACCESSORIES	
41718	0.35 GPM PCA SPRAY SPOUT END
10022	SUPPLY LINES 1/2F X 1/2F X 36" LONG
2976	VANDAL RESISTANT KIT



8" ADJ. POT FILLER FAUCETS

STAINLESS	DESCRIPTION
54100	8" ADJ. WALL W/ 12" POT FILLER SPOUT & 07" DJ
54801	8" ADJ. WALL W/ 12" POT FILLER SPOUT & 12" DJ
ACCESSORIES	
75626	WRIST HANDLES (2 EACH)
71439	BACKSPLASH 1/2" MOUNTING CLOSE NIPPLE (2 EACH)
71447	CLOSE ELBOWS 1/2" (REQUIRES BACKSPLASH MOUNTING NIPPLES) (2 EACH)
64351	SUPPLY LINES 1/2F X 1/2M X 36" LONG (REQUIRES CLOSE ELBOWS) (2 EACH)
2976	VANDAL RESISTANT KIT
70653	EZ INSTALL ADAPTER KIT WITH T&S, CHICAGO, & KROWNE ADAPTERS KIT



SINGLE WALL/BACKSPLASH POT FILLER FAUCETS

STAINLESS	DESCRIPTION
69175	SINGLE WALL / BACKSPLASH W/ 12" POT FILLER SPOUT & 07" DJ
69183	SINGLE WALL / BACKSPLASH W/ 12" POT FILLER SPOUT & 12" DJ
ACCESSORIES	
3984	WRIST HANDLE
71498	CLOSE ELBOW 1/2"
10006	SUPPLY LINES 1/2F X 1/2M X 36" LONG (REQUIRES CLOSE ELBOWS)
2976	VANDAL RESISTANT KIT

*INCLUDES NIPPLE FOR BACKSPLASH MOUNTING



8" BACKSPLASH CONTROL VALVE

STAINLESS LEVER HANDLES	DESCRIPTION
61549	SWIVEL OUTLET / SWIVEL STEMS



8" DECK CONTROL VALVE

STAINLESS LEVER HANDLES	DESCRIPTION
67385	SWIVEL OUTLET / SWIVEL STEMS



8" ADJ. WALL CONTROL VALVE

STAINLESS LEVER HANDLES	DESCRIPTION
61565	SWIVEL OUTLET / SWIVEL STEMS
23698	SWIVEL OUTLET / CHECK STEMS



4" BACKSPLASH CONTROL VALVE

STAINLESS LEVER HANDLES	DESCRIPTION
62839	SWIVEL OUTLET / SWIVEL STEMS



4" DECK CONTROL VALVE

STAINLESS LEVER HANDLES	DESCRIPTION
67423	SWIVEL OUTLET / SWIVEL STEMS



WIDESPREAD CONTROL VALVE

STAINLESS LEVER HANDLES	DESCRIPTION
70173	SWIVEL OUTLET / SWIVEL STEMS
70204	3/8" FEMALE OUTLET/SWIVEL STEMS



DUAL DECK CONTROL VALVE

STAINLESS LEVER HANDLES	DESCRIPTION
63592	SWIVEL OUTLET / SWIVEL STEMS



SINGLE WALL / BACKSPASH CONTROL VALVE

STAINLESS LEVER HANDLES	DESCRIPTION
70459	SWIVEL OUTLET / SWIVEL STEMS
70432	3/8" FEMALE OUTLET / SWIVEL STEMS

*INCLUDES NIPPLE FOR BACKSPASH MOUNTING



SINGLE DECK CONTROL VALVE

STAINLESS LEVER HANDLES	DESCRIPTION
66575	SWIVEL OUTLET / SWIVEL STEMS
66591	3/8" FEMALE OUTLET / SWIVEL STEMS



SINGLE BACKSPASH BASE

STAINLESS LEVER HANDLES	DESCRIPTION
3900	SWIVEL OUTLET



SINGLE DECK BASE

STAINLESS LEVER HANDLES	DESCRIPTION
3800	SWIVEL OUTLET
2903	3/8" FEMALE OUTLET



1/2" SWING SPOUTS

STAINLESS	DESCRIPTION
54380	6" SWING SPOUT
54399	8" SWING SPOUT
54402	10" SWING SPOUT
54410	12" SWING SPOUT
54429	14" SWING SPOUT
54445	16" SWING SPOUT

*SPOUT REQUIRE CONTROL VALVES WITH SWIVEL OUTLET AND SWIVEL STEMS



1/2" SWIVEL DOUBLE JOINT

STAINLESS	DESCRIPTION
54461	7" SWIVEL DOUBLE JOINT
55050	12" SWIVEL DOUBLE JOINT

*DJ'S REQUIRE CONTROL VALVES WITH SWIVEL OUTLETS



1/2" SWIVEL / RIGID GOOSENECK SPOUTS

STAINLESS	DESCRIPTION
54453	6" SWIVEL / RIGID GOOSENECK SPOUT
54437	12" SWIVEL / RIGID GOOSENECK SPOUT

*SPOUT REQUIRE CONTROL VALVES WITH SWIVEL OUTLET AND SWIVEL STEMS



1/2" SWIVEL CONTROL SPOUTS

STAINLESS	DESCRIPTION
55042	12" SWIVEL CONTROL SPOUT

*SPOUT REQUIRE CONTROL VALVES WITH SWIVEL OUTLET AND CHECK STEMS



EZ INSTALL ADAPTER KITS

STAINLESS	DESCRIPTION
70653	EZ INSTALL ADAPTER KIT WITH T&S, CHICAGO & KROWNE ADAPTERS KIT



1/2" SWIVEL STEM REPAIR KITS

STAINLESS	DESCRIPTION
54518	RH SWIVEL REPAIR STEM KIT
54526	LH SWIVEL REPAIR STEM KIT



1/2" CHECK STEM REPAIR KITS

STAINLESS	DESCRIPTION
54502	RH CHECK REPAIR STEM
54510	LH CHECK REPAIR STEM



WRIST HANDLES

STAINLESS	DESCRIPTION
3984	WRIST HANDLE
75626	WRIST HANDLE (2 EACH)

BACKSPLASH MOUNTING NIPPLES FOR WALL FAUCETS

STAINLESS	DESCRIPTION
71439	BACKSPLASH MOUNTING CLOSE NIPPLES 1/2" FOR WALL FAUCETS (2 EACH)

ELBOWS FOR WALL FAUCETS

STAINLESS	DESCRIPTION
71498	CLOSE ELBOW FOR BACKSPLASH CONTROL VALVE OR WALL CONTROL VALVE WITH BACKSPLASH MOUNTING NIPPLE 1/2"
71447	CLOSE ELBOWS FOR BACKSPLASH CONTROL VALVES OR WALL CONTROL VALVES WITH BACKSPLASH MOUNTING NIPPLES 1/2" (2 EACH)

SUPPLY LINES

STAINLESS	DESCRIPTION
10006	SUPPLY LINE 1/2" FEMALE X 1/2" FEMALE X 36" LONG FOR DECK MOUNT CONTROL VALVES AND BASES (2 EACH)
64351	SUPPLY LINE 1/2" FEMALE X 1/2" MALE X 36" LONG FOR BACKSPLASH MOUNTED CONTROL VALVES WITH ELBOWS (2 EACH)
10022	SUPPLY LINE 1/2" FEMALE X 1/2" FEMALE X 36" LONG FOR DECK MOUNT CONTROL VALVE AND BASE
75625	SUPPLY LINE 1/2" FEMALE X 1/2" FEMALE X 36" LONG FOR DECK MOUNT CONTROL VALVES AND BASES (2 EACH)

SPOUT END ATTACHMENTS

STAINLESS	DESCRIPTION
41718	0.35 GPM PCA SPRAY SPOUT END
55867	2.20 GPM PERALATOR AERATOR
41726	5.00 GPM FULL FLOW PERALATOR AERATOR

VANDAL RESISTANT KIT

STAINLESS	DESCRIPTION
2976	VANDAL RESISTANT KIT

KETTLE FILLER RISERS

STAINLESS	DESCRIPTION
38334	4" RISER
38407	12" RISER
71315	16" RISER
63363	21" RISER

*RISERS REQUIRE SWIVEL ADAPTER & CONTROL VALVES WITH RIGID OUTLETS

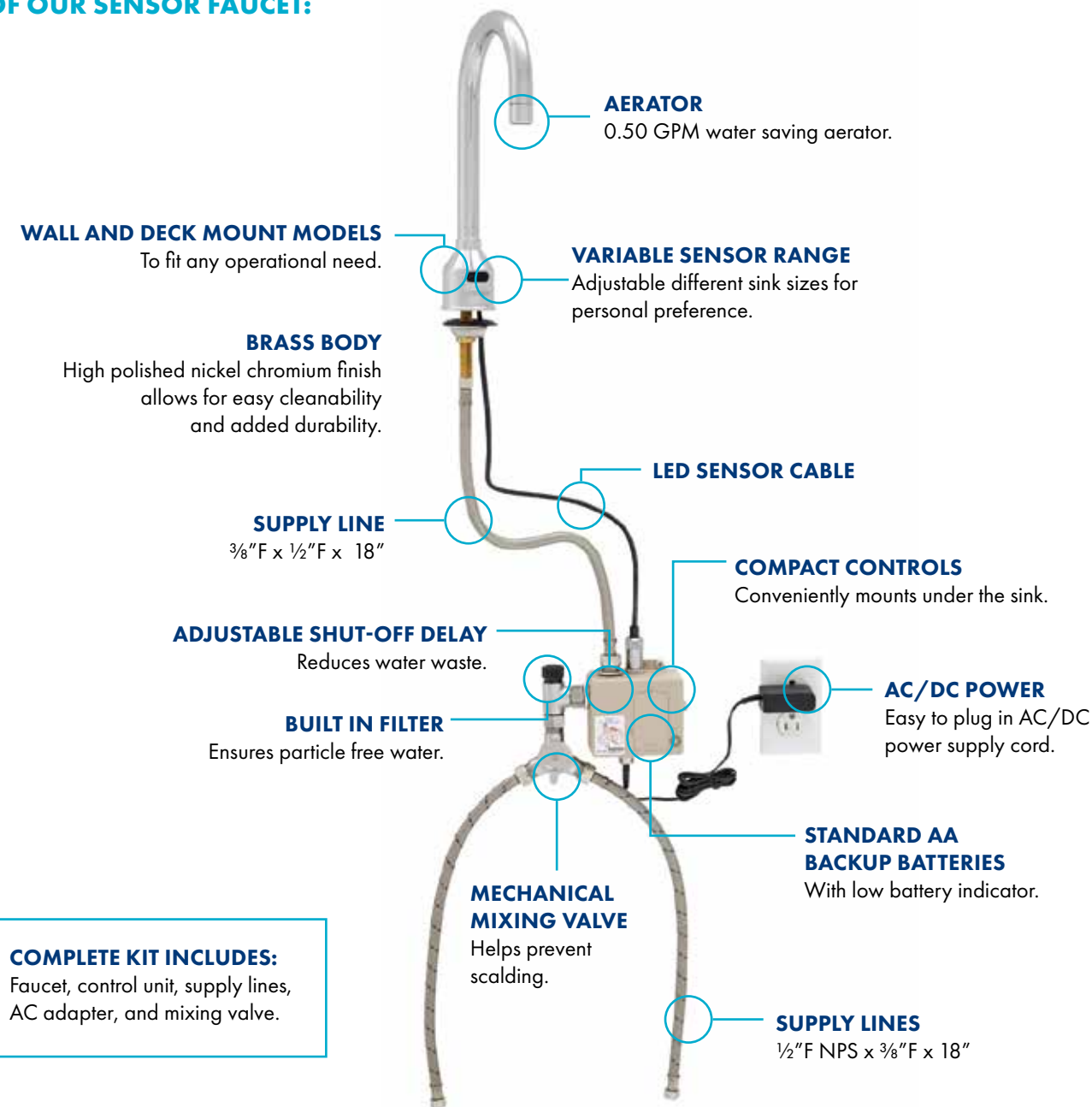
KETTLE FILLER SWIVEL ADAPTER

STAINLESS	DESCRIPTION
4000-3300	SWIVEL ADAPTER

NAVIGATOR™ ELECTRONIC SENSOR FAUCETS - BRASS

Hospitals, schools, and food service operations are always looking to conserve water, promote better health practices and cut costs when possible. Now, Fisher offers an innovative way to do it all with our Navigator™ Sensor Faucets. These innovative systems give the ability to turn on and turn off water completely hands free with sensor technology. Available in both wall mount and deck mount setups our Navitor™ Sensor Faucets bring convenience, efficiency and reliability to your operation. Fisher now has a 3 year warranty on Sensor Faucets.

CHECK OUT THE FEATURES OF OUR SENSOR FAUCET:



COMPLETE KIT INCLUDES:
Faucet, control unit, supply lines, AC adapter, and mixing valve.



SINGLE BACKSPLASH SENSOR FAUCETS

MODEL	DESCRIPTION
73750	SINGLE BACKSPLASH W/ ELBOWS & 12" RIGID GOOSENECK SPOUT 0.50 GPM



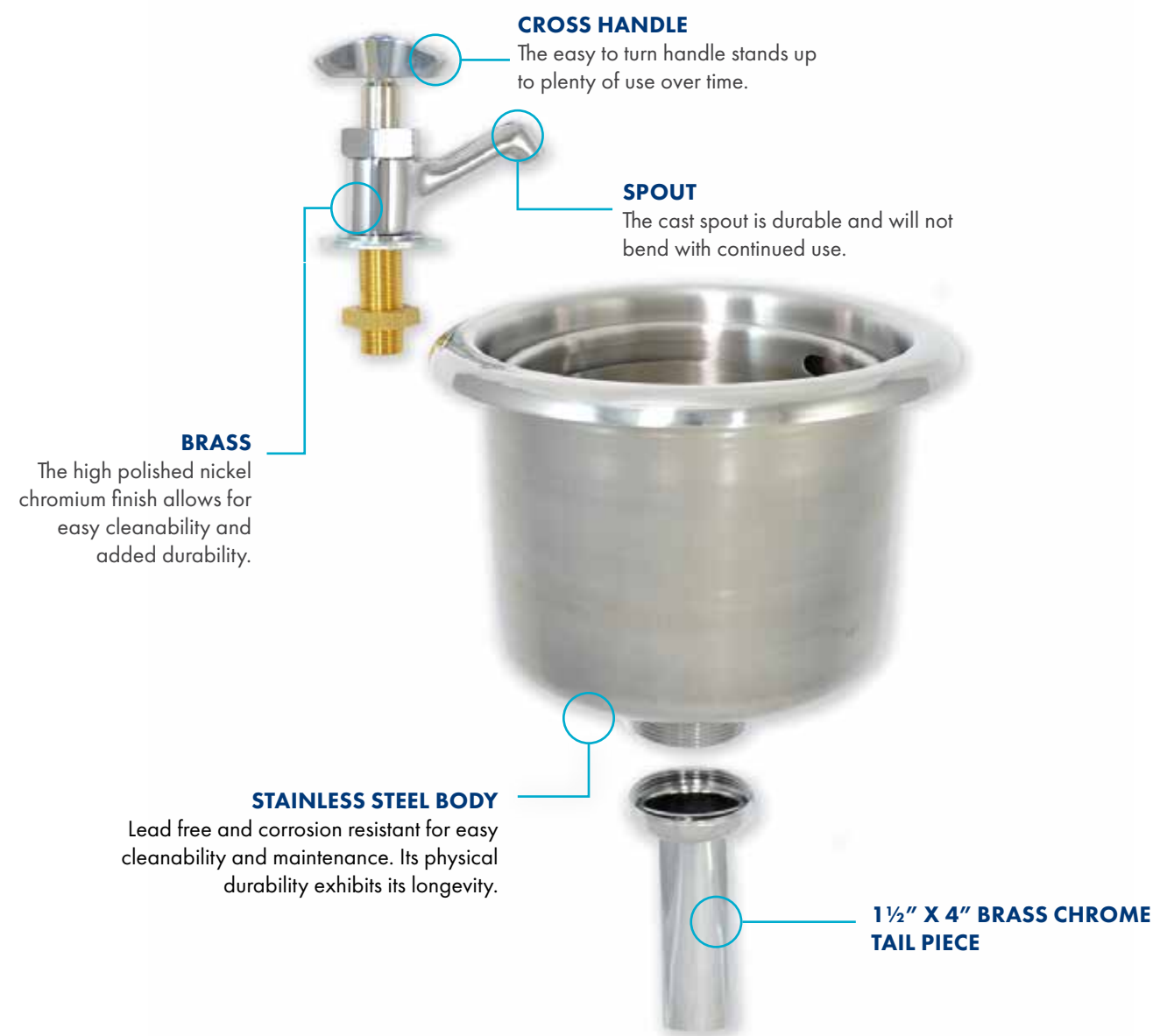
SINGLE DECK SENSOR FAUCETS

MODEL	DESCRIPTION
73751	SINGLE DECK W/ 12" RIGID GOOSENECK SPOUT 0.50 GPM

DIPPERWELL FAUCET - BRASS

Fisher's dipperwell faucet is the perfect solution for keeping ice cream scoops clean and ready to use at your restaurant, concession stand, or ice cream shop. One of the key features of the dipperwell faucet is that it keeps ice cream scoops and paddles sanitized with a continuously running fresh stream of water through the dipperwell sink to aid in the prevention of potential flavor transfers or cross contamination between uses. Fisher now has a 4 year warranty on brass.

CHECK OUT THESE DIPPERWELL FAUCET FEATURES:





DIPPERWELL FAUCET

BRASS	DESCRIPTION
3041	DIPPERWELL FAUCET W/ SINK & TAILPIECE
3042	DIPPERWELL FAUCET ONLY

3/4" FAUCETS, COMPONENTS & ACCESSORIES

Fisher has designed a line of 3/4" Pot Sink Faucets to save time on filling large pot sinks. Fisher's 3/4" Faucets are totally dedicated to providing large volumes of water in a short period of time. They're ideal for filling big vessels quickly by going from zero to 100 gallons of water in 180 seconds! Also, Fisher stainless steel products now come with a 10 year warranty and a 4 year warranty on brass.

DIPPERWEL STEM REPAIR KIT

BRASS	DESCRIPTION
3042-0000	DIPPERWEL STEM REPAIR KIT



STANDARD SWIVELING SEAT DISKS

Pivot on the stems so that there's no twisting against the seats to allow for longer seat washer life.

TWO O-RINGS

Ensures a proper seal.

1" DIAMETER SPOUT WITHOUT AERATOR
Ensures full flow.

STAINLESS STEEL SEAT
Resists abrasion and comes with a **lifetime guarantee** against leaks.

BRASS BODY

High polished nickel chromium finish allows for easy cleanability and added durability.

OR STAINLESS STEEL BODY

Lead free and corrosion resistant for easy cleanability and maintenance. Its physical durability exhibit its longevity.

INTERNATIONALLY COLOR CODED IDENTIFICATION BUTTONS ON HANDLES
Hot (red) and cold (blue) for safety.



3/4" 8" BACKSPASH SINK FAUCETS

BRASS	DESCRIPTION
5412	8" BACKSPASH W/10" SWING SPOUT AND ELBOWS
5414	8"BACKSPASH W/14" SWING SPOUT AND ELBOWS



3/4" SINGLE WALL / *BACKSPASH SINK FAUCETS W/ CROSS HANDLES

BRASS	DESCRIPTION
5700	SWIVEL OUTLET / SWIVEL STEMS
ACCESSORIES	
3984	WRIST HANDLE
5000-2103	CLOSE ELBOW

*INCLUDES NIPPLE FOR BACKSPASH MOUNTING



3/4" 8" BACKSPASH CONTROL VALVES

BRASS	DESCRIPTION
5400	SWIVEL OUTLET / SWIVEL STEMS
5400-CV	SWIVEL OUTLET / CHECK STEMS
ACCESSORIES	
75626	WRIST HANDLES (2 EACH)



3/4" SINGLE DECK CONTROL VALVES

BRASS	DESCRIPTION
5000	SWIVEL OUTLET / SWIVEL STEMS
ACCESSORIES	
3984	WRIST HANDLE



3/4" 8" ADJ. WALL CONTROL VALVES

BRASS	DESCRIPTION
5200	SWIVEL OUTLET / SWIVEL STEMS
5200-CV	SWIVEL OUTLET / CHECK STEMS
ACCESSORIES	
75626	WRIST HANDLES (2 EACH)
10219	BACKSPASH MOUNTING NIPPLE
5000-2103	CLOSE ELBOW (REQUIRES BACKSPASH MOUNTING NIPPLES)



3/4" SWING SPOUTS

BRASS	DESCRIPTION
5000-0001	3/4" 10" SWING SPOUT
5000-0002	3/4" 14" SWING SPOUT



3/4" 8" DECK CONTROL VALVES

BRASS	DESCRIPTION
BRASS	ULTRA SPRAY VALVE PLUS 1.15 GPM KNIFE EDGE SPRAY PATTERN
5300	ULTRA SPRAY VALVE 7 PLUS .70 GPM KNIFE EDGE SPRAY PATTERN
ACCESSORIES	
75626	WRIST HANDLES (2 EACH)



3/4" DJ

BRASS	DESCRIPTION
5000-0003	3/4" 10" DJ



3/4" CONTROL SPOUT

BRASS	DESCRIPTION
5071	3/4" 10" CONTROL SPOUT



3/4" ADDON FAUCET LESS SPOUT

BRASS	DESCRIPTION
21482	3/4" ADDON FAUCET LESS SPOUT



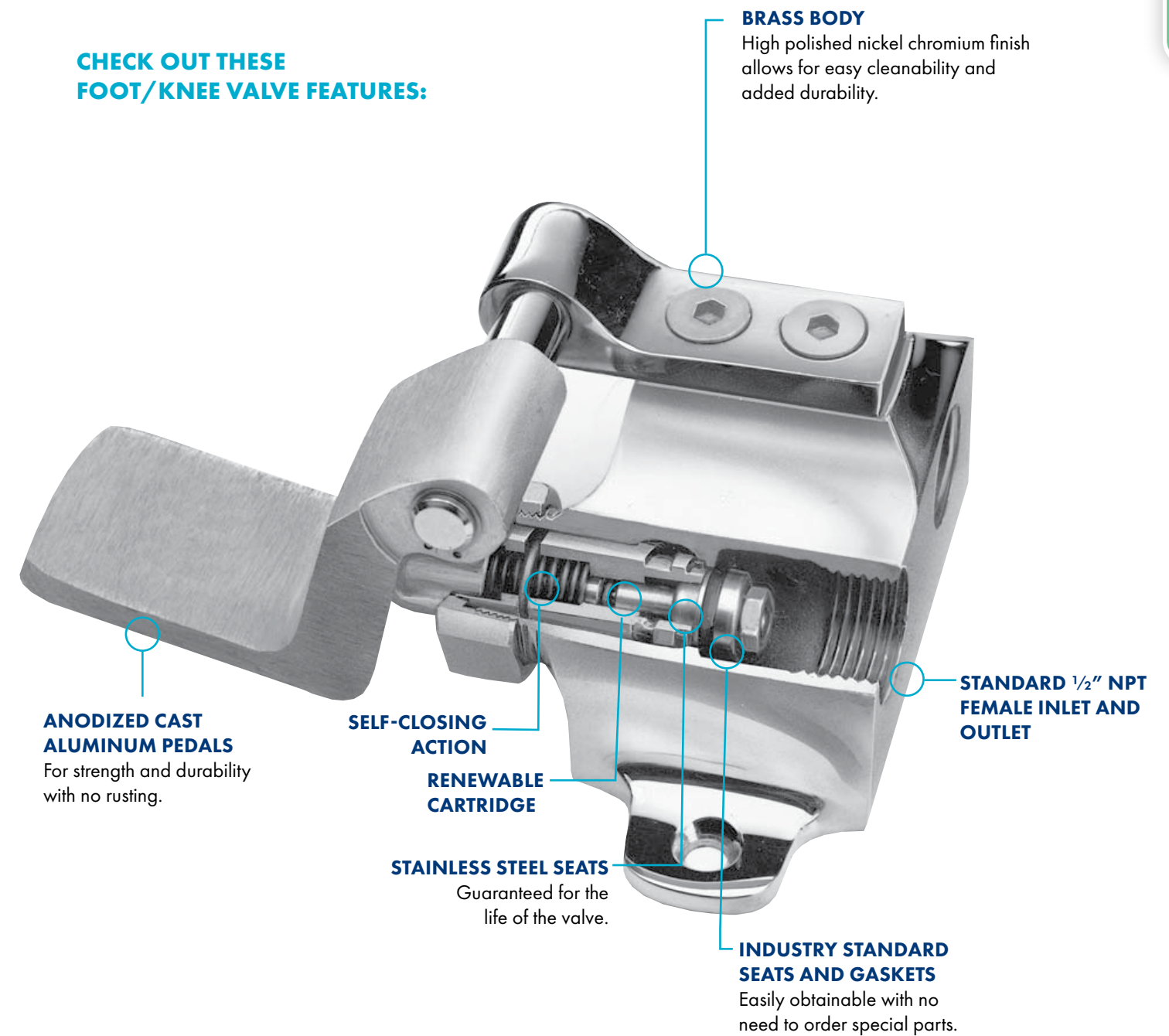
WRIST HANDLES

BRASS	DESCRIPTION
3984	WRIST HANDLES
75626	WRIST HANDLES (2 EACH)

FOOT AND KNEE VALVES - BRASS

Fisher foot/knee valves are a perfect solution for going hands free. They have self-closing, foot operated valves that eliminate the possibility of contamination from germ-laden or dirty dishes. They are easy to operate and are available in single or double valves for easy floor, wall, or knee heights installations. Ideal for restaurants, hospitals, schools, hotels, restrooms, and more. Fisher now has a 4 year warranty on brass.

CHECK OUT THESE FOOT/KNEE VALVE FEATURES:





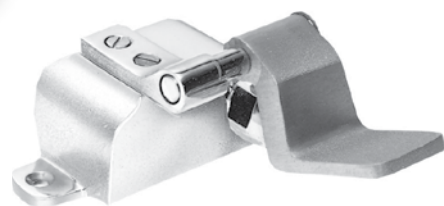
SINGLE PEDAL UNDER SINK MOUNT KNEE VALVE

BRASS	DESCRIPTION
3074	SINGLE PEDAL UNDER SINK MOUNT KNEE VALVE
ACCESSORIES	
2970-3	TEMPERATURE CONTROL VALVE INLETS 1/2" M X OUTLET 1/2" F
61336	NIPPLE 1/2" X 1/4" X 6" CONNECT TEMPERATURE CONTROL VALVE TO FOOT VALVE



DUAL PEDAL UNDER SINK MOUNT KNEE VALVE

BRASS	DESCRIPTION
3174	DUAL PEDAL UNDER SINK MOUNT KNEE VALVE



SINGLE PEDAL FLOOR MOUNT FOOT VALVE

BRASS	DESCRIPTION
3070	SINGLE PEDAL FLOOR MOUNT FOOT VALVE
ACCESSORIES	
2970-3	TEMPERATURE CONTROL VALVE INLETS 1/2" M X OUTLET 1/2" F
61336	NIPPLE 1/2" X 1/4" X 6" CONNECT TEMPERATURE CONTROL VALVE TO FOOT VALVE



DUAL PEDAL FLOOR MOUNT FOOT VALVE

BRASS	DESCRIPTION
3170	DUAL Pedal Floor Mount Foot Valve



SINGLE PEDAL WALL MOUNT FOOT VALVE

BRASS	DESCRIPTION
3076	SINGLE PEDAL VALVE WALL MOUNT FOOT VALVE
ACCESSORIES	
2970-3	TEMPERATURE CONTROL VALVE INLETS 1/2" M X OUTLET 1/2" F
61336	NIPPLE 1/2" X 1/4" X 6" CONNECT TEMPERATURE CONTROL VALVE TO FOOT VALVE



DUAL PEDAL WALL MOUNT FOOT VALVE

BRASS	DESCRIPTION
3176	DUAL PEDAL WALL MOUNT FOOT VALVE



BACKSPLASH BAR & HAND SINK BASES

BRASS	DESCRIPTION
2038	BACKSPLASH BASE W/ 6" SWIVEL GOOSENECK SPOUT
3915	BACKSPLASH BASE W/ 12" SWIVEL GOOSENECK SPOUT
9131	BACKSPLASH W/6" RIGID GOOSENECK SPOUT
3916	BACKSPLASH W/12" RIGID GOOSENECK SPOUT
ACCESSORIES	
74223	0.35 GPM PCA SPRAY SPOUT END
2400-2103	CLOSE ELBOW 1/2"
10006	SUPPLY LINES 1/2" F X 1/2" M X 36" LONG (REQUIRES CLOSE ELBOWS)
2976	VANDAL RESISTANT KIT



DECK BAR & HAND SINK BASES

BRASS	DESCRIPTION
1929	DECK BASE W/6" SWIVEL GOOSENECK SPOUT
3815	DECK BASE W/12" SWIVE GOOSENECK SPOUT
1937	DECK BASE W/6" RIGID GOOSENECK SPOUT
3816	DECK BASE W/12" RIGID GOOSENECK SPOUT
ACCESSORIES	
74223	0.35 GPM PCA SPRAY SPOUT END
10222	SUPPLY LINE 1/2" F X 1/2" F X 36" LONG
2976	VANDAL RESISTANT KIT



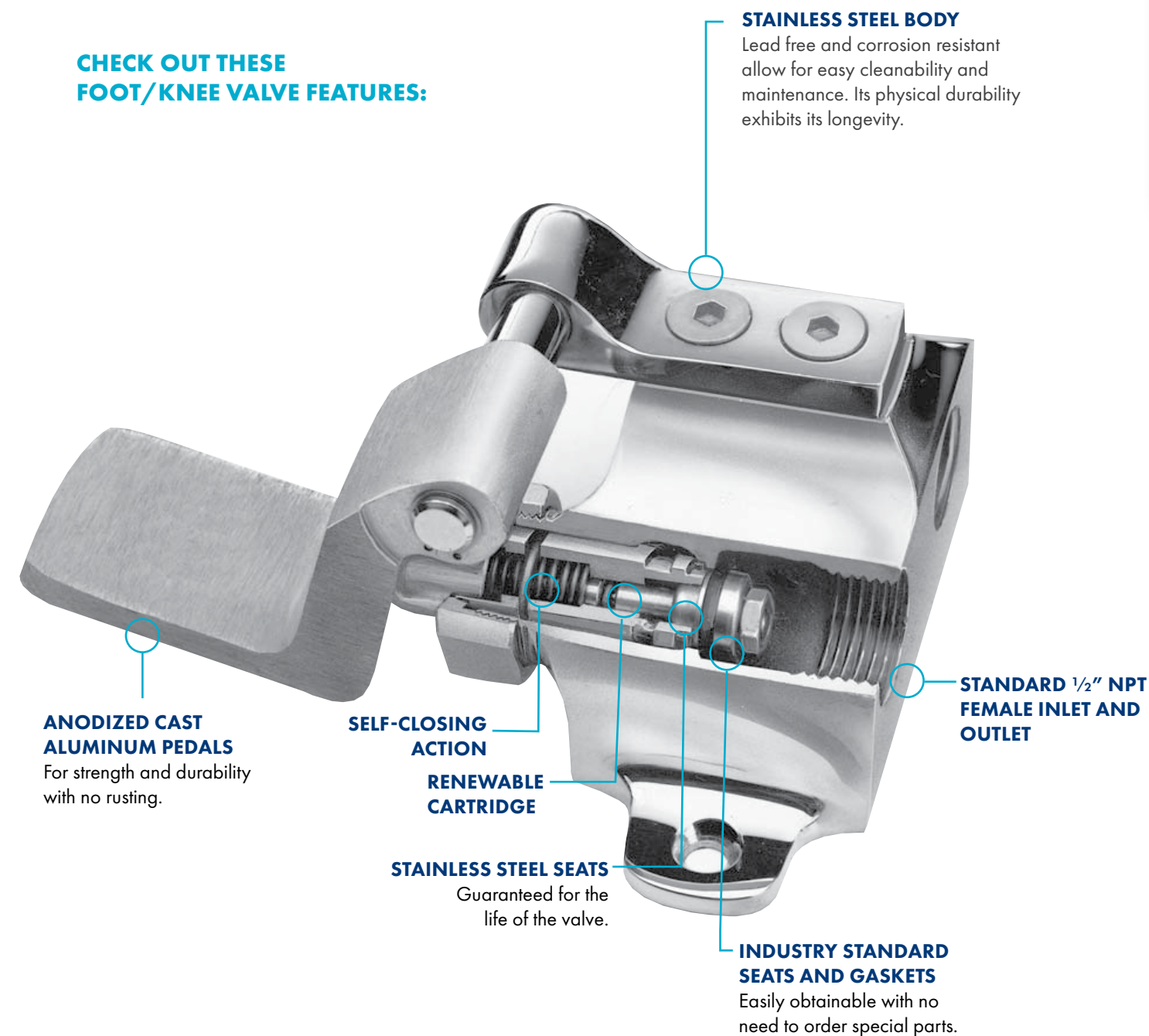
FOOT/KNEE VALVE CYLINDER

BRASS	DESCRIPTION
3070-0000	FOOT VALVE CYLINDER

FOOT AND KNEE VALVES - STAINLESS STEEL

Fisher foot/knee valves are a perfect solution for going hands free. They have self-closing, foot operated valves that eliminate the possibility of contamination from germ-laden or dirty dishes. They are easy to operate and are available in single or double valves for easy floor, wall, or knee heights installations. Ideal for restaurants, hospitals, schools, hotels, restrooms, and more. Fisher now has a 10 year warranty on stainless steel.

CHECK OUT THESE FOOT/KNEE VALVE FEATURES:



STAINLESS STEEL BODY
Lead free and corrosion resistant allow for easy cleanability and maintenance. Its physical durability exhibits its longevity.

ANODIZED CAST ALUMINUM PEDALS
For strength and durability with no rusting.

SELF-CLOSING ACTION
RENEWABLE CARTRIDGE

STAINLESS STEEL SEATS
Guaranteed for the life of the valve.

INDUSTRY STANDARD SEATS AND GASKETS
Easily obtainable with no need to order special parts.

STANDARD 1/2" NPT FEMALE INLET AND OUTLET



SINGLE PEDAL UNDER SINK MOUNT KNEE VALVE

STAINLESS	DESCRIPTION
48011	SINGLE PEDAL UNDER SINK MOUNT KNEE VALVE
ACCESSORIES	
61336	NIPPLE 1/2" X 1/4" X 6" CONNECT TEMPERATURE CONTROL VALVE TO FOOT VALVE



DUAL PEDAL UNDER SINK MOUNT KNEE VALVE

STAINLESS	DESCRIPTION
48054	DUAL PEDAL UNDER SINK MOUNT KNEE VALVE

SINGLE PEDAL FLOOR MOUNT FOOT VALVE

STAINLESS	DESCRIPTION
47759	SINGLE PEDAL FLOOR MOUNT FOOT VALVE
ACCESSORIES	
61336	NIPPLE 1/2" X 1/4" X 6" CONNECT TEMPERATURE CONTROL VALVE TO FOOT VALVE



DUAL PEDAL FLOOR MOUNT FOOT VALVE

STAINLESS	DESCRIPTION
47988	DUAL Pedal Floor Mount Foot Valve

SINGLE PEDAL WALL MOUNT FOOT VALVE

STAINLESS	DESCRIPTION
48062	SINGLE PEDAL VALVE WALL MOUNT FOOT VALVE
ACCESSORIES	
61336	NIPPLE 1/2" X 1/4" X 6" CONNECT TEMPERATURE CONTROL VALVE TO FOOT VALVE



DUAL PEDAL WALL MOUNT FOOT VALVE

STAINLESS	DESCRIPTION
48070	DUAL PEDAL WALL MOUNT FOOT VALVE

BACKSPLASH BAR & HAND SINK BASES

STAINLESS	DESCRIPTION
47090	BACKSPLASH BASE W/ 6" SWIVEL / RIGID GOOSENECK SPOUT
47104	BACKSPLASH BASE W/ 12" SWIVEL / RIGID GOOSENECK SPOUT
COMPONENTS	
41718	0.35 GPM PCA SPRAY SPOUT ENT
71498	CLOSE ELBOW 1/2"
10006	SUPPLY LINE 1/2F X 1/2M X 36" LONG (REQUIRES CLOSE ELBOW)
2976	VANDAL RESISTANT KIT



DECK BAR & HAND SINK BASES

STAINLESS	DESCRIPTION
45748	DECK BASE W/ 6" SWIVEL / RIGID GOOSENECK SPOUT
46094	DECK BASE W/ 12" SWIVEL / RIGID GOOSENECK SPOUT
COMPONENTS	
41718	0.35 GPM PCA SPRAY SPOUT END
10022	SUPPLY LINE 1/2F X 1/2F X 36" LONG (REQUIRES CLOSE ELBOW)
2976	VANDAL RESISTANT KIT





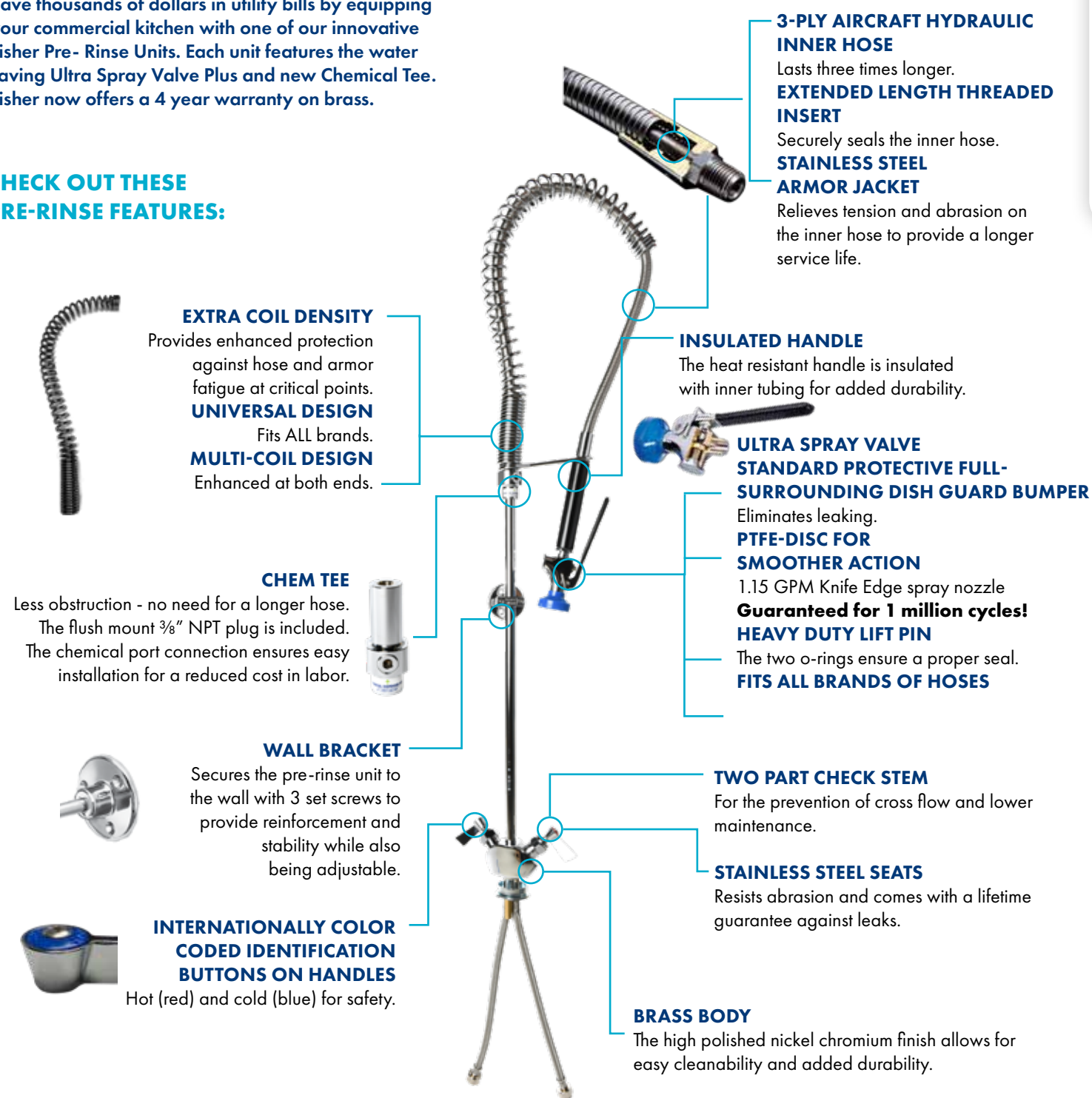
FOOT/KNEE VALVE CYLINDER

STAINLESS	DESCRIPTION
12491	FOOT VALVE CYLINDER

1/2" PRE-RINSE UNITS - BRASS

Save thousands of dollars in utility bills by equipping your commercial kitchen with one of our innovative Fisher Pre-Rinse Units. Each unit features the water saving Ultra Spray Valve Plus and new Chemical Tee. Fisher now offers a 4 year warranty on brass.

CHECK OUT THESE PRE-RINSE FEATURES:



SWIVEL STYLE OPTIONS



SWIVEL STYLE
The long swivel arm provides maximum reach and a superior range of motion.

PRE-RINSE CRITICAL POINTS

Overall height from base of faucet	Distance from bottom of spray valve to bottom of faucet:
Spring Style - 38"	Spring Style - 12"
Swivel Style - 38"	Swivel Style - 7"
Mini Style - 22 3/8"	Mini Style - 7 5/8"



8" BACKSPASH SPRING STYLE PRE-RINSE

BRASS	DESCRIPTION
13390	8" BACKSPASH SPRING STYLE PRE-RINSE & ULTRA SPRAY PLUS
64793	8" BACKSPASH SPRING STYLE PRE-RINSE & ULTRA SPRAY PLUS WITH EZ INSTALL ADAPTERS
ACCESSORIES	
64211	CLOSE ELBOWS (2 EACH)
64351	SUPPLY LINES 1/2" F X 1/2" M X 36" LONG (2 EACH. REQUIRES CLOSE ELBOWS)
2976	VANDAL RESISTANT KIT
2949-9001	SPRAY VALVE BRUSH
2932-0002	DUAL CHECK VACUUM BREAKER 3/4"-14 FEMALE X 3/4"-14 MALE



8" BACKSPASH SPRING STYLE PRE-RINSE W/ ADD ON FAUCET

BRASS	DESCRIPTION
34436	8" BACKSPASH SPRING STYLE PRE-RINSE W/ ADDON FAUCET, ULTRA SPRAY VALVE PLUS & 6" SWING SPOUT
34460	8" BACKSPASH SPRING STYLE PRE-RINSE W/ ADDON FAUCET, ULTRA SPRAY VALVE PLUS & 12" SWING SPOUT
ACCESSORIES	
64211	CLOSE ELBOWS (2 EACH)
64211	SUPPLY LINES 1/2" F X 1/2" M X 36" LONG (2 EACH. REQUIRES CLOSE ELBOWS)
2976	VANDAL RESISTANT KIT
2949-9001	SPRAY VALVE BRUSH
2932-0002	DUAL CHECK VACUUM BREAKER 3/4"-14 FEMALE X 3/4"-14 MALE



8" DECK SPRING STYLE PRE-RINSE

BRASS	DESCRIPTION
2310-WB	8" DECK SPRING STYLE PRE-RINSE & ULTRA SPRAY PLUS
ACCESSORIES	
2976	VANDAL RESISTANT KIT
2949-9001	SPRAY VALVE BRUSH
2932-0002	DUAL CHECK VACUUM BREAKER 3/4"-14 FEMALE X 3/4"-14 MALE



8" DECK SPRING STYLE PRE-RINSE W/ ADD ON FAUCET

BRASS	DESCRIPTION
34223	8" DECK SPRING STYLE PRE-RINSE W/ ADD ON FAUCET, ULTRA SPRAY VALVE PLUS & 6" SWING SPOUT
34266	8" DECK SPRING STYLE PRE-RINSE W/ ADD ON FAUCET, ULTRA SPRAY VALVE PLUS & 12" SWING SPOUT
ACCESSORIES	
75625	SUPPLY LINES 1/2" F X 1/2" M X 36" LONG (2 EACH)
2976	VANDAL RESISTANT KIT
2949-9001	SPRAY VALVE BRUSH
2932-0002	DUAL CHECK VACUUM BREAKER 3/4"-14 FEMALE X 3/4"-14 MALE



8" ADJ. WALL SPRING STYLE PRE-RINSE

BRASS	DESCRIPTION
2210-WB	8" ADJ. WALL SPRING STYLE PRE-RINSE & ULTRA SPRAY PLUS
ACCESSORIES	
64238	BACKSPASH MOUNTING NIPPLES (2 EACH)
64211	CLOSE ELBOWS (2 EACH. REQUIRES BACKSPASH MOUNTING NIPPLES)
64351	SUPPLY LINES 1/2" F X 1/2" M X 36" LONG (2 EACH. REQUIRES CLOSE ELBOWS)
75557	EZ INSTALL ADAPTER KIT INCLUDES ADAPTERS FOR T&S, CHICAGO & KROWNE
2976	VANDAL RESISTANT KIT
2949-9001	SPRAY VALVE BRUSH
2932-0002	DUAL CHECK VACUUM BREAKER 3/4"-14 FEMALE X 3/4"-14 MALE



8" ADJ. WALL SPRING STYLE PRE-RINSE W/ ADD ON FAUCET

BRASS	DESCRIPTION
34355	8" ADJ. WALL SPRING STYLE PRE-RINSE W/ ADD ON FAUCET, ULTRA SPRAY VALVE PLUS & 6" SWING SPOUT
34398	8" ADJ. WALL SPRING STYLE PRE-RINSE W/ ADD ON FAUCET, ULTRA SPRAY VALVE PLUS & 12" SWING SPOUT
ACCESSORIES	
64238	BACKSPASH MOUNTING NIPPLES (2 EACH)
64211	CLOSE ELBOWS (2 EACH. REQUIRES BACKSPASH MOUNTING NIPPLES)
64351	SUPPLY LINES 1/2" F X 1/2" M X 36" LONG (2 EACH. REQUIRES CLOSE ELBOWS)
75557	EZ INSTALL ADAPTER KIT INCLUDES ADAPTERS FOR T&S, CHICAGO & KROWNE
2976	VANDAL RESISTANT KIT
2949-9001	SPRAY VALVE BRUSH
2932-0002	DUAL CHECK VACUUM BREAKER 3/4"-14 FEMALE X 3/4"-14 MALE



DUAL DECK SPRING STYLE PRE-RINSE

BRASS	DESCRIPTION
2110-WB	DUAL DECK SPRING STYLE PRE-RINSE & ULTRA SPRAY PLUS
ACCESSORIES	
2976	VANDAL RESISTANT KIT
2949-9001	SPRAY VALVE BRUSH
2932-0002	DUAL CHECK VACUUM BREAKER 3/4"-14 FEMALE X 3/4"-14 MALE



DUAL DECK SPRING STYLE PRE-RINSE W/ ADD ON FAUCET

BRASS	DESCRIPTION
34169	DUAL DECK SPRING STYLE PRE-RINSE W/ ADD ON FAUCET, ULTRA SPRAY VALVE PLUS & 6" SWING SPOUT
34193	DUAL DECK SPRING STYLE PRE-RINSE W/ ADD ON FAUCET, ULTRA SPRAY VALVE PLUS & 12" SWING SPOUT
ACCESSORIES	
2976	VANDAL RESISTANT KIT
2949-9001	SPRAY VALVE BRUSH
2932-0002	DUAL CHECK VACUUM BREAKER 3/4"-14 FEMALE X 3/4"-14 MALE



8" BACKSPLASH CONTROL VALVE

BRASS LEVER HANDLES	DESCRIPTION
13196	3/8" FEMALE OUTLET / CHECK STEMS



8" DECK CONTROL VALVE

BRASS LEVER HANDLES	DESCRIPTION
2300-CV	3/8" FEMALE OUTLET / CHECK STEMS



8" ADJ. WALL CONTROL VALVE

BRASS LEVER HANDLES	DESCRIPTION
2200-CV	3/8" FEMALE OUTLET / CHECK STEMS



4" BACKSPLASH CONTROL VALVE

BRASS LEVER HANDLES	DESCRIPTION
2600-CV	3/8" FEMALE OUTLET / CHECK STEMS

*FAUCET BASE USED AS AN OPTION FOR PRE-RINSE



4" DECK CONTROL VALVE

BRASS LEVER HANDLES	DESCRIPTION
2500-CV	3/8" FEMALE OUTLET / CHECK STEMS

*FAUCET BASE USED AS AN OPTION FOR PRE-RINSE



DUAL DECK CONTROL VALVE

BRASS LEVER HANDLES	DESCRIPTION
13080	3/8" FEMALE OUTLET / CHECK STEMS



SINGLE WALL / BACKSPLASH CONTROL VALVE

BRASS LEVER HANDLES	DESCRIPTION
2700	3/8" FEMALE OUTLET / CHECK STEMS

*FAUCET BASE USED AS AN OPTION FOR PRE-RINSE



SINGLE DECK CONTROL VALVE

BRASS LEVER HANDLES	DESCRIPTION
12890	3/8" FEMALE OUTLET / CHECK STEMS

*FAUCET BASE USED AS AN OPTION FOR PRE-RINSE



SINGLE BACKSPLASH BASE

BRASS LEVER HANDLES	DESCRIPTION
3900-0002	3/8" FEMALE OUTLET

*FAUCET USED AS AN OPTION WITH 4" REMOTE CONTROL VALVE FOR PRE-RINSE



SINGLE DECK BASE

BRASS LEVER HANDLES	DESCRIPTION
2903	3/8" FEMALE OUTLET

*FAUCET USED AS AN OPTION WITH 4" REMOTE CONTROL VALVE FOR PRE-RINSE



4" REMOTE CONTROL VALVE

BRASS LEVER HANDLES	DESCRIPTION
2805-CV	CHECK STEMS (REQUIRES BASE)

*USED WITH SINGLE WALL/BACKSPLASH OR SINGLE DECK BASE PRE-RINSE



PRE-RINSE SPRING STYLE SUB-ASSEMBLY

BRASS	DESCRIPTION
97993	SPRING STYLE SUB-ASSEMBLY W/ ULTRA SPRAY VALVE & 16" RISER FOR PRE-RINSES WITH ADDON FAUCETS
2928	SPRING STYLE SUB-ASSEMBLY W/ ULTRA SPRAY VALVE & 21" RISER FOR PRE-RINSES WITHOUT ADDON FAUCETS
75594	SPRING STYLE SUB-ASSEMBLY W/ ULTRA SPRAY VALVE 7 PLUS & 16" RISER FOR PRE-RINSES WITH ADDON FAUCETS
75595	SPRING STYLE SUB-ASSEMBLY W/ ULTRA SPRAY VALVE 7 PLUS & 21" RISER FOR PRE-RINSES WITHOUT ADDON FAUCETS

* INCLUDES ADAPTER TO ASSEMBLE TO T&S CONTROL VALVES

PRE-RINSE MINI SPRING STYLE SUB-ASSEMBLY

BRASS	DESCRIPTION
75410	MINI SPRING STYLE SUB-ASSEMBLY W/ ULTRA SPRAY VALVE & 4" RISER FOR PRE-RINSES WITH ADDON FAUCETS
75408	MINI SPRING STYLE SUB-ASSEMBLY W/ ULTRA SPRAY VALVE & 10" RISER FOR PRE-RINSES WITHOUT ADDON FAUCETS
75598	MINI SPRING STYLE SUB-ASSEMBLY W/ ULTRA SPRAY VALVE 7 PLUS & 4" RISER FOR PRE-RINSES WITH ADDON FAUCETS
75599	MINI SPRING STYLE SUB-ASSEMBLY W/ ULTRA SPRAY VALVE 7 PLUS & 10" RISER FOR PRE-RINSES WITHOUT ADDON FAUCETS

* INCLUDES ADAPTER TO ASSEMBLE TO T&S CONTROL VALVES

PRE-RINSE SWIVEL STYLE SUB-ASSEMBLY

BRASS	DESCRIPTION
2211-0000	SWIVEL STYLE SUB-ASSEMBLY W/ ULTRA SPRAY VALVE & 31" RISER FOR PRE-RINSES WITHOUT ADDON FAUCETS
75602	SWIVEL STYLE SUB-ASSEMBLY W/ ULTRA SPRAY VALVE 7 PLUS & 25" RISER FOR PRE-RINSES WITH ADDON FAUCETS
75603	SWIVEL STYLE SUB-ASSEMBLY W/ ULTRA SPRAY VALVE 7 PLUS & 31" RISER FOR PRE-RINSES WITHOUT ADDON FAUCETS

* INCLUDES ADAPTER TO ASSEMBLE TO T&S CONTROL VALVES

GLASS FILLER SPRING STYLE SUB-ASSEMBLY

BRASS	DESCRIPTION
75564	SPRING STYLE SUB-ASSEMBLY W/ GLASS FILLER VALVE & 16" RISER FOR GLASS FILLERS WITH ADDON FAUCETS
75555	SPRING STYLE SUB-ASSEMBLY W/ GLASS FILLER VALVE & 21" RISER FOR GLASS FILLERS WITHOUT ADDON FAUCETS

* INCLUDES ADAPTER TO ASSEMBLE TO T&S CONTROL VALVES

1/2" CHECK STEM REPAIR KIT

BRASS	DESCRIPTION
2000-0004	RH CHECK STEM REPAIR KIT
2000-0005	LH CHECK STEM REPAIR KIT

1/2" SWIVEL STEM REPAIR KIT

BRASS	DESCRIPTION
3000-0000	RH SWIVEL STEM REPAIR KIT

DUAL CHECK VALVES & VACUUM BREAKERS

BRASS	DESCRIPTION
2932-0002	DUAL CHECK VACUUM BREAKER 3/4"-14 FEMALE X 3/4"-14 MALE



NIPPLES FOR ADJ. WALL PRE-RINSES

BRASS	DESCRIPTION
64238	NIPPLE FOR 1/2" ADJ. WALL PRE-RINSES 1/2" NPT MALE X 1/2" NPT MALE X 1 3/4" LONG W/ SLIP JOINT KIT (2 EACH)
2200-0000	NIPPLE FOR 1/2" ADJ. WALL PRE-RINSES 1/2" NPT MALE X 1/2" NPT MALE X 1 3/4" LONG W/ SLIP JOINT KIT

ELBOWS FOR ADJ. WALL W/ NIPPLE & BACKSPASH PRE-RINSE

BRASS	DESCRIPTION
2400-2103	ELBOWS FOR 1/2" WALL W/ NIPPLES & BACKSPASH PRE-RINSES 1/2" NPT FEMALE X 1/2" NPT FEMALE
64211	ELBOWS FOR 1/2" WALL W/ NIPPLES & BACKSPASH PRE-RINSES 1/2" NPT FEMALE X 1/2" NPT FEMALE (2 EACH)

SUPPLY LINES FOR 1/2" PRE-RINSE UNITS

BRASS	DESCRIPTION
10006	SUPPLY LINES FOR 1/2" PRE-RINSES 1/2" FEMALE X 1/2" MALE X 36" LONG
64351	SUPPLY LINES FOR 1/2" PRE-RINSES 1/2" FEMALE X 1/2" MALE X 36" LONG (2 EACH)
10022	SUPPLY LINES FOR 1/2" PRE-RINSES 1/2" FEMALE X 1/2" FEMALE X 36" LONG
75625	SUPPLY LINES FOR 1/2" PRE-RINSES 1/2" FEMALE X 1/2" FEMALE X 36" LONG (2 EACH)

EZ INSTALL ADAPTERS

BRASS	DESCRIPTION
75557	EZ INSTALL ADAPTER KIT INCLUDES ADAPTERS FOR T&S, CHICAGO & KROWNE

SPRAY VALVE BRUSH

BRASS	DESCRIPTION
2949-9001	SPRAY VALVE BRUSH

1/2" SWING SPOUTS FOR ADDON FAUCET

BRASS	DESCRIPTION
3960	6" SWING SPOUT
3961	8" SWING SPOUT
3962	10" SWING SPOUT
3963	12" SWING SPOUT
3964	14" SWING SPOUT
3967	16" SWING SPOUT

ADDON FAUCETS

BRASS	DESCRIPTION
2901	ADDON FAUCET W/ 4" RISER W/ 6" SPOUT
2901-12	ADDON FAUCET W/ 4" RISER W/ 12" SPOUT
2901-0000	ADDON FAUCET W/ 4" RISER LESS SPOUT



Save thousands of dollars in utility bills by equipping your commercial kitchen with one of our innovative Fisher Pre-Rinse Units. Each unit features the water saving Ultra Spray Valve Plus and new Chemical Tee. Fisher now offers a 10 year warranty on stainless steel.

CHECK OUT THESE PRE-RINSE FEATURES:

THIS PAGE INTENTIONALLY BLANK



EXTRA COIL DENSITY
Provides enhanced protection against hose and armor fatigue at critical points.

UNIVERSAL DESIGN
Fits ALL brands.

MULTI-COIL DESIGN
Enhanced at both ends.



CHEM TEE
Less obstruction - no need for a longer hose. The flush mount 3/8" NPT plug is included. The chemical port connection ensures easy installation for a reduced cost in labor.



WALL BRACKET
Secures the pre-rinse unit to the wall with 3 set screws to provide reinforcement and stability while also being adjustable.



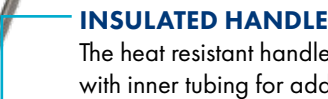
INTERNATIONALLY COLOR CODED IDENTIFICATION BUTTONS ON HANDLES
Hot (red) and cold (blue) for safety.



3-PLY AIRCRAFT HYDRAULIC INNER HOSE
Lasts three times longer.

EXTENDED LENGTH THREADED INSERT
Securely seals the inner hose.

STAINLESS STEEL ARMOR JACKET
Relieves tension and abrasion on the inner hose to provide a longer service life.



INSULATED HANDLE
The heat resistant handle is insulated with inner tubing for added durability.



ULTRA SPRAY VALVE
STANDARD PROTECTIVE FULL-SURROUNDING DISH GUARD BUMPER
Eliminates leaking.

PTFE-DISC FOR SMOOTHER ACTION
1.15 GPM Knife Edge spray nozzle
Guaranteed for 1 million cycles!

HEAVY DUTY LIFT PIN
The two o-rings ensure a proper seal.
FITS ALL BRANDS OF HOSES



TWO PART CHECK STEM
For the prevention of cross flow and lower maintenance.



STAINLESS STEEL SEATS
Resists abrasion and comes with a lifetime guarantee against leaks.



STAINLESS STEEL BODY
Lead free and corrosion resistant for easy cleanability and maintenance. Its physical durability exhibits its longevity.

SWIVEL STYLE OPTIONS



SWIVEL STYLE
The long swivel arm provides maximum reach and a superior range of motion.

PRE-RINSE CRITICAL POINTS

Overall height from base of faucet	Distance from bottom of spray valve to bottom of faucet:
Spring Style - 38"	Spring Style - 12"
Swivel Style - 38"	Swivel Style - 7"
Mini Style - 22 3/8"	Mini Style - 7 5/8"



8" BACKSPASH SPRING STYLE PRE-RINSE

STAINLESS	DESCRIPTION
67989	8" BACKSPASH SPRING STYLE PRE-RINSE & ULTRA SPRAY PLUS
52922	8" BACKSPASH SPRING STYLE PRE-RINSE & ULTRA SPRAY PLUS WITH EZ INSTALL ADAPTERS
ACCESSORIES	
71447	CLOSE ELBOWS (2 EACH)
64351	SUPPLY LINES 1/2" F X 1/2" M X 36" LONG (2 EACH. REQUIRES CLOSE ELBOWS)
2976	VANDAL RESISTANT KIT
2949-9001	SPRAY VALVE BRUSH
2932-0002	DUAL CHECK VACUUM BREAKER 3/4"-14 FEMALE X 3/4"-14 MALE

8" BACKSPASH SPRING STYLE PRE-RINSE W/ ADD ON FAUCET

STAINLESS	DESCRIPTION
68071	8" BACKSPASH SPRING STYLE PRE-RINSE W/ ADDON FAUCET, ULTRA SPRAY VALVE PLUS & 6" SWING SPOUT
68128	8" BACKSPASH SPRING STYLE PRE-RINSE W/ ADDON FAUCET, ULTRA SPRAY VALVE PLUS & 12" SWING SPOUT
52930	8" BACKSPASH SPRING STYLE PRE-RINSE W/ ADDON FAUCET, ULTRA SPRAY VALVE PLUS & 6" SWING SPOUT WITH EZ INSTALL ADAPTERS
52965	8" BACKSPASH SPRING STYLE PRE-RINSE W/ ADDON FAUCET, ULTRA SPRAY VALVE PLUS & 12" SWING SPOUT WITH EZ INSTALL ADAPTERS
ACCESSORIES	
71447	CLOSE ELBOWS (2 EACH)
64351	SUPPLY LINES 1/2" F X 1/2" M X 36" LONG (2 EACH. REQUIRES CLOSE ELBOWS)
2976	VANDAL RESISTANT KIT
2949-9001	SPRAY VALVE BRUSH
2932-0002	DUAL CHECK VACUUM BREAKER 3/4"-14 FEMALE X 3/4"-14 MALE

8" DECK SPRING STYLE PRE-RINSE

STAINLESS	DESCRIPTION
68217	8" DECK SPRING STYLE PRE-RINSE & ULTRA SPRAY PLUS
ACCESSORIES	
75625	SUPPLY LINES 1/2" F X 1/2" F X 36" LONG (2 EACH)
2976	VANDAL RESISTANT KIT
2949-9001	SPRAY VALVE BRUSH
2932-0002	DUAL CHECK VACUUM BREAKER 3/4"-14 FEMALE X 3/4"-14 MALE

8" DECK SPRING STYLE PRE-RINSE W/ ADD ON FAUCET

STAINLESS	DESCRIPTION
68225	8" DECK SPRING STYLE PRE-RINSE W/ ADD ON FAUCET, ULTRA SPRAY VALVE PLUS & 6" SWING SPOUT
68268	8" DECK SPRING STYLE PRE-RINSE W/ ADD ON FAUCET, ULTRA SPRAY VALVE PLUS & 12" SWING SPOUT
ACCESSORIES	
75625	SUPPLY LINES 1/2" F X 1/2" F X 36" LONG (2 EACH)
2976	VANDAL RESISTANT KIT
2949-9001	SPRAY VALVE BRUSH
2932-0002	DUAL CHECK VACUUM BREAKER 3/4"-14 FEMALE X 3/4"-14 MALE



8" ADJ. WALL SPRING STYLE PRE-RINSE

STAINLESS	DESCRIPTION
53430	8" ADJ. WALL SPRING STYLE PRE-RINSE & ULTRA SPRAY PLUS
ACCESSORIES	
71439	BACKSPASH MOUNTING NIPPLES (2 EACH)
71447	CLOSE ELBOWS (2 EACH. REQUIRES BACKSPASH MOUNTING NIPPLES)
64351	SUPPLY LINES 1/2" F X 1/2" M X 36" LONG (2 EACH. REQUIRES CLOSE ELBOWS)
70653	EZ INSTALL ADAPTER KIT INCLUDES ADAPTERS FOR T&S, CHICAGO & KROWNE
2976	VANDAL RESISTANT KIT
2949-9001	SPRAY VALVE BRUSH
2932-0002	DUAL CHECK VACUUM BREAKER 3/4"-14 FEMALE X 3/4"-14 MALE

8" ADJ. WALL SPRING STYLE PRE-RINSE W/ ADD ON FAUCET

STAINLESS	DESCRIPTION
53449	8" ADJ. WALL SPRING STYLE PRE-RINSE W/ ADD ON FAUCET, ULTRA SPRAY VALVE PLUS & 6" SWING SPOUT
53473	8" ADJ. WALL SPRING STYLE PRE-RINSE W/ ADD ON FAUCET, ULTRA SPRAY VALVE PLUS & 12" SWING SPOUT
ACCESSORIES	
71439	BACKSPASH MOUNTING NIPPLES (2 EACH)
71447	CLOSE ELBOWS (2 EACH. REQUIRES BACKSPASH MOUNTING NIPPLES)
64351	SUPPLY LINES 1/2" F X 1/2" M X 36" LONG (2 EACH. REQUIRES CLOSE ELBOWS)
70653	EZ INSTALL ADAPTER KIT INCLUDES ADAPTERS FOR T&S, CHICAGO & KROWNE
2976	VANDAL RESISTANT KIT
2949-9001	SPRAY VALVE BRUSH
2932-0002	DUAL CHECK VACUUM BREAKER 3/4"-14 FEMALE X 3/4"-14 MALE

DUAL DECK SPRING STYLE PRE-RINSE

STAINLESS	DESCRIPTION
53007	DUAL DECK SPRING STYLE PRE-RINSE & ULTRA SPRAY PLUS
ACCESSORIES	
2976	VANDAL RESISTANT KIT
2949-9001	SPRAY VALVE BRUSH
2932-0002	DUAL CHECK VACUUM BREAKER 3/4"-14 FEMALE X 3/4"-14 MALE

DUAL DECK SPRING STYLE PRE-RINSE W/ ADD ON FAUCET

STAINLESS	DESCRIPTION
53015	DUAL DECK SPRING STYLE PRE-RINSE W/ ADD ON FAUCET, ULTRA SPRAY VALVE PLUS & 6" SWING SPOUT
53058	DUAL DECK SPRING STYLE PRE-RINSE W/ ADD ON FAUCET, ULTRA SPRAY VALVE PLUS & 12" SWING SPOUT
ACCESSORIES	
2976	VANDAL RESISTANT KIT
2949-9001	SPRAY VALVE BRUSH
2932-0002	DUAL CHECK VACUUM BREAKER 3/4"-14 FEMALE X 3/4"-14 MALE





8" BACKSPASH CONTROL VALVE

STAINLESS LEVER HANDLES	DESCRIPTION
61662	3/8" FEMALE OUTLET / CHECK STEMS



8" DECK CONTROL VALVE

STAINLESS LEVER HANDLES	DESCRIPTION
67407	3/8" FEMALE OUTLET / CHECK STEMS



8" ADJ. WALL CONTROL VALVE

STAINLESS LEVER HANDLES	DESCRIPTION
61689	3/8" FEMALE OUTLET / CHECK STEMS



4" BACKSPASH CONTROL VALVE

STAINLESS LEVER HANDLES	DESCRIPTION
62936	3/8" FEMALE OUTLET / CHECK STEMS

*FAUCET BASE USED AS AN OPTION FOR PRE-RINSE



4" DECK CONTROL VALVE

STAINLESS LEVER HANDLES	DESCRIPTION
67458	3/8" FEMALE OUTLET / CHECK STEMS

*FAUCET BASE USED AS AN OPTION FOR PRE-RINSE



DUAL DECK CONTROL VALVE

STAINLESS LEVER HANDLES	DESCRIPTION
63134	3/8" FEMALE OUTLET / CHECK STEMS



SINGLE WALL / BACKSPASH CONTROL VALVE

STAINLESS LEVER HANDLES	DESCRIPTION
70432	3/8" FEMALE OUTLET / CHECK STEMS

*FAUCET BASE USED AS AN OPTION FOR PRE-RINSE



SINGLE DECK CONTROL VALVE

STAINLESS LEVER HANDLES	DESCRIPTION
66591	3/8" FEMALE OUTLET / CHECK STEMS

*FAUCET BASE USED AS AN OPTION FOR PRE-RINSE



SINGLE BACKSPASH BASE

STAINLESS LEVER HANDLES	DESCRIPTION
3900-0002	3/8" FEMALE OUTLET



SINGLE DECK BASE

STAINLESS LEVER HANDLES	DESCRIPTION
2903	3/8" FEMALE OUTLET

*FAUCET USED AS AN OPTION WITH 4" REMOTE CONTROL VALVE FOR PRE-RINSE



PRE-RINSE SPRING STYLE SUB-ASSEMBLY

STAINLESS	DESCRIPTION
32697	SPRING STYLE SUB-ASSEMBLY W/ ULTRA SPRAY VALVE & 16" RISER FOR PRE-RINSES WITH ADDON FAUCETS
38660	SPRING STYLE SUB-ASSEMBLY W/ ULTRA SPRAY VALVE & 21" RISER FOR PRE-RINSES WITHOUT ADDON FAUCETS
75596	SPRING STYLE SUB-ASSEMBLY W/ ULTRA SPRAY VALVE 7 PLUS & 16" RISER FOR PRE-RINSES WITH ADDON FAUCETS
75597	SPRING STYLE SUB-ASSEMBLY W/ ULTRA SPRAY VALVE 7 PLUS & 21" RISER FOR PRE-RINSES WITHOUT ADDON FAUCETS

* INCLUDES ADAPTER TO ASSEMBLE TO T&S CONTROL VALVES



ELBOWS FOR ADJ. WALL W/ NIPPLE & BACKSPLASH PRE-RINSE

STAINLESS	DESCRIPTION
71498	ELBOW FOR 1/2" WALL W/ NIPPLES & BACKSPLASH PRE-RINSES 1/2" NPT FEMALE X 1/2" NPT FEMALE
71447	ELBOWS FOR 1/2" WALL W/ NIPPLES & BACKSPLASH PRE-RINSES 1/2" NPT FEMALE X 1/2" NPT FEMALE (2 EACH)



SUPPLY LINES FOR 1/2" PRE-RINSE UNITS

STAINLESS	DESCRIPTION
10006	SUPPLY LINES FOR 1/2" PRE-RINSES 1/2" FEMALE X 1/2" MALE X 36" LONG
64351	SUPPLY LINES FOR 1/2" PRE-RINSES 1/2" FEMALE X 1/2" MALE X 36" LONG (2 EACH)
10022	SUPPLY LINES FOR 1/2" PRE-RINSES 1/2" FEMALE X 1/2" FEMALE X 36" LONG
75625	SUPPLY LINES FOR 1/2" PRE-RINSES 1/2" FEMALE X 1/2" FEMALE X 36" LONG (2 EACH)



PRE-RINSE MINI SPRING STYLE SUB-ASSEMBLY

STAINLESS	DESCRIPTION
75411	MINI SPRING STYLE SUB-ASSEMBLY W/ ULTRA SPRAY VALVE & 4" RISER FOR PRE-RINSES WITH ADDON FAUCETS
75409	MINI SPRING STYLE SUB-ASSEMBLY W/ ULTRA SPRAY VALVE & 10" RISER FOR PRE-RINSES WITHOUT ADDON FAUCETS
75600	MINI SPRING STYLE SUB-ASSEMBLY W/ ULTRA SPRAY VALVE 7 PLUS & 4" RISER FOR PRE-RINSES WITH ADDON FAUCETS
75601	MINI SPRING STYLE SUB-ASSEMBLY W/ ULTRA SPRAY VALVE 7 PLUS & 10" RISER FOR PRE-RINSES WITHOUT ADDON FAUCETS

* INCLUDES ADAPTER TO ASSEMBLE TO T&S CONTROL VALVES



EZ INSTALL ADAPTERS

STAINLESS	DESCRIPTION
70653	EZ INSTALL ADAPTER KIT INCLUDES ADAPTERS FOR T&S, CHICAGO & KROWNE



1/2" CHECK STEM REPAIR KIT

STAINLESS	DESCRIPTION
54502	RH CHECK STEM REPAIR KIT
54510	LH CHECK STEM REPAIR KIT



SPRAY VALVE BRUSH

STAINLESS	DESCRIPTION
2949-9001	SPRAY VALVE BRUSH



1/2" SWIVEL STEM REPAIR KIT

STAINLESS	DESCRIPTION
54518	RH SWIVEL STEM REPAIR KIT



1/2" SWING SPOUTS FOR ADDON FAUCET

STAINLESS	DESCRIPTION
54380	6" SWING SPOUT
54399	8" SWING SPOUT
54402	10" SWING SPOUT
54410	12" SWING SPOUT
54429	14" SWING SPOUT
54445	16" SWING SPOUT



DUAL CHECK VALVES & VACUUM BREAKERS

STAINLESS	DESCRIPTION
2932-0002	DUAL CHECK VACUUM BREAKER 3/4"-14 FEMALE X 3/4"-14 MALE



NIPPLES FOR ADJ. WALL PRE-RINSES

STAINLESS	DESCRIPTION
71439	NIPPLES FOR 1/2" ADJ. WALL PRE-RINSES 1/2" NPT MALE X 1/2" NPT MALE X 1 3/4" LONG W/ SLIP JOINT KIT (2 EACH)
70645	NIPPLE FOR 1/2" ADJ WALL PRE-RINSES 1/2" NPT MALE X 1/2" NPT MALE X 1 3/4" LONG W/SLIP JOINT KIT



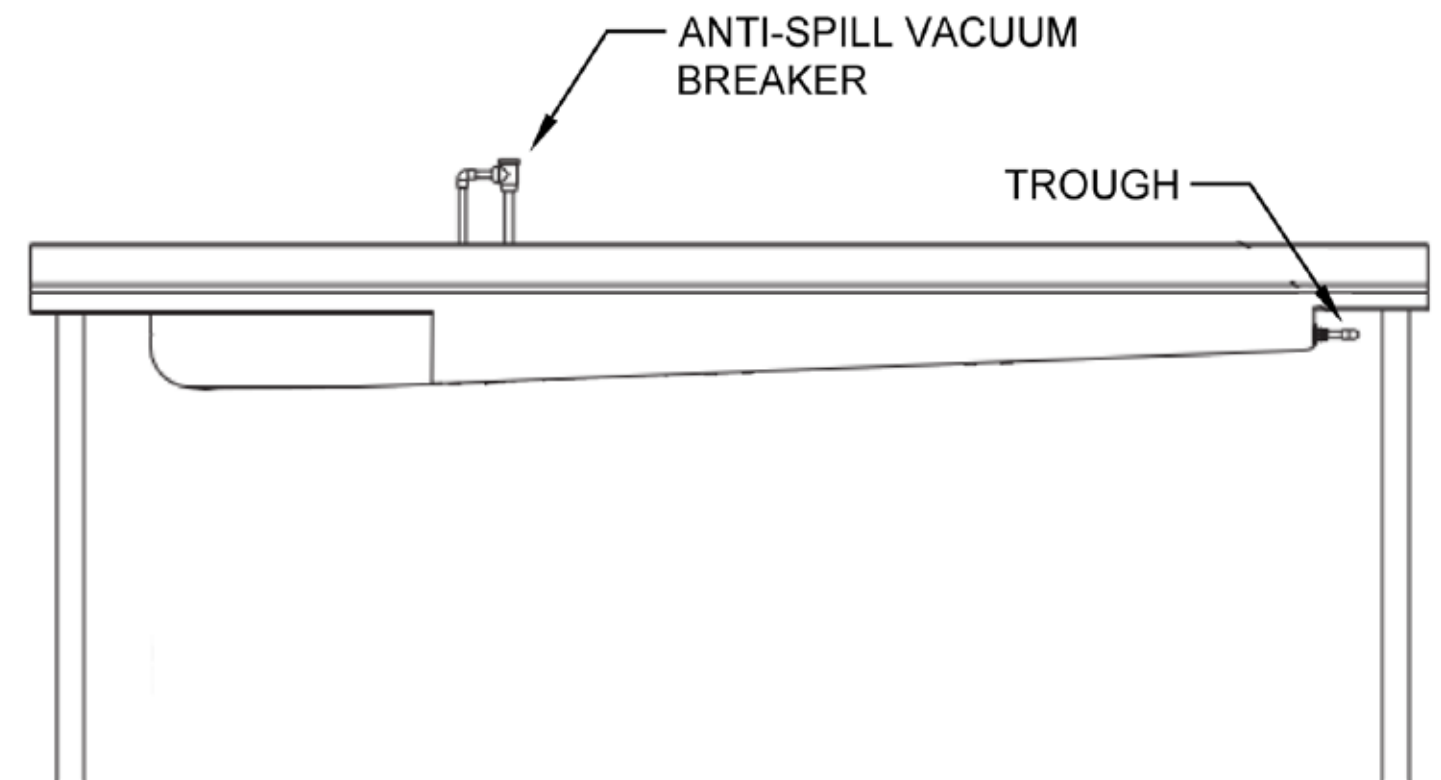
ADDON FAUCETS

STAINLESS	DESCRIPTION
71323	ADDON FAUCET W/ 4" RISER W/ 6" SPOUT
71366	ADDON FAUCET W/ 4" RISER W/ 12" SPOUT
38318	ADDON FAUCET W/ 4" RISER LESS SPOUT

Fisher Dish Machine products are designed in brass and stainless steel and made for long service life. The atmospheric vacuum breaker is designed to protect against contaminated water from being siphoned back into the clean water supply. The Trough Water and Inlet fittings, keep your faucet working properly. They are designed specially to reduce the risk of food contamination by washing away waste in scrap station. Ideal for kitchen prep areas. Fisher now has a 4- year warranty on Brass and 10 -year warranty in Stainless Steel.

CHECK OUT THESE DISH MACHINE & SCRAP FITTINGS FEATURES:

THIS PAGE INTENTIONALLY BLANK





INLET FITTING

STAINLESS	DESCRIPTION
2905	TROUGH WATER INLET FITTING



INLET FITTING

BRASS	DESCRIPTION
81930	INLET FITTING ASSEMBLY 3 GASKETS



VACUUM BREAKER

BRASS	DESCRIPTION
3990	LEDGE MOUNT ATMOSPHERIC VACUUM BREAKER 1/2" X 6"



STRAIGHT STOP

BRASS CROSS HANDLE	DESCRIPTION
2933	STRAIGHT STOP 1/2" FEMALE INLET X 1/2" FEMALE OUTLET



TEMPERATURE ADJUSTING VALVE

BRASS	DESCRIPTION
2970-3	TEMPERATURE ADJUSTING VALVE 1/2" MALE INLETS X 1/2" FEMALE SLIP JOINT OUTLET W/ CHECK VALVES

1/2" POT FILLER HOSE & GLASS FILLER UNITS - BRASS

Filling large volume kettles is often time consuming and inconvenient, but Fisher Kettle and Glass Fillers make it easy and efficient. The hook-shaped spout hangs on the kettle's side while filling it with water. The simple design for both the kettle and glass filler also gives you maximum mobility and allows you to get to even the hardest to reach places within your kitchen. Our kettle and glass fillers also come with the options of a Swivel Hose Adapter and Backflow Preventer. Choose from a variety of wall or deck mount models. Ideal for restaurants, healthcare facilities, grocery/retail facilities, hospitality facilities, and convenience stores. Fisher brass products now come with a 4 year warranty.

CHECK OUT THE FEATURES OF OUR 1/2" KETTLE FILLER:

INTERNATIONALLY COLOR CODED IDENTIFICATION BUTTONS ON HANDLES
Hot (red) and cold (blue) for safety.

POT FILLER VALVE
Heat resistant and **guaranteed 1 Million cycles.**
OR
GLASS FILLER VALVE
Designed to deliver maximum water flow 5.0 GPM with minimal utility costs. Comes with angled head for increased comfort during use.

WALL HOOK
Mounts to the wall to secure the pot filler valve when not in use so it is prevented from getting in the way.

INSULATED HANDLE
The heat resistant handle is insulated with inner tubing for added durability.

POT FILLER VALVE
Heat resistant and **guaranteed 1 Million cycles.**
OR
GLASS FILLER VALVE
Designed to deliver maximum water flow 5.0 GPM with minimal utility costs. Comes with angled head for increased comfort during use.

AERATOR
Designed to deliver maximum water flow at 5 GPM with minimal utility costs.

SWIVEL HOSE ADAPTER 1/4" F OUTLET ATMOSPHERIC VACUUM BREAKER
The atmospheric vacuum breaker helps prevent both pollutants and contaminants from backflow-siphonage.

OR
SWIVEL HOSE ADAPTER 1/4"
Provides a full 360 degree range of motion while also putting less stress on the hose connections.

BACKFLOW PREVENTER
Prevents backflow caused by backflow-siphonage or back pressure.

BRASS BODY
The high polished nickle chromium finish allows for easy cleanability and added durability.

TWO PART CHECK STEM
For the prevention of cross flow and lower maintenance.

STAINLESS STEEL SEATS
Resists abrasion and comes with a lifetime guarantee against leaks.

FOODGRADE HOSE
Ensures the taste of the food is not altered.

STAINLESS STEEL ARMOR JACKET
Relieves tension and abrasion on the inner hose to provide a longer service life.

EXTENDED LENGTH THREADED INSERT
Securely seals the inner hose.



8" ADJ. WALL POT FILLER HOSE UNITS

BRASS	DESCRIPTION
2240	8" ADJ. WALL W/ SWIVEL ELBOW VACUUM BREAKER & 60" HOSE
ACCESSORIES	
64238	BACKSPASH MOUNTING NIPPLES (2 EACH)
64211	CLOSE ELBOWS (2 EACH. REQUIRES BACKSPASH MOUNTING NIPPLES)
64351	SUPPLY LINES 1/2" F X 1/2" M X 36" LONG (2 EACH. REQUIRES CLOSE ELBOWS)
75557	EZ INSTALL ADAPTER KIT INCLUDES ADAPTERS FOR T&S, CHICAGO & KROWNE
2976	VANDAL RESISTANT KIT



8" ADJ. WALL POT FILLER HOSE UNITS

BRASS	DESCRIPTION
2250	8" ADJ. WALL W/ SWIVEL ELBOW & 60" HOSE
ACCESSORIES	
64238	BACKSPASH MOUNTING NIPPLES (2 EACH)
64211	CLOSE ELBOWS (2 EACH. REQUIRES BACKSPASH MOUNTING NIPPLES)
64351	SUPPLY LINES 1/2" F X 1/2" M X 36" LONG (2 EACH. REQUIRES CLOSE ELBOWS)
75557	EZ INSTALL ADAPTER KIT INCLUDES ADAPTERS FOR T&S, CHICAGO & KROWNE
2976	VANDAL RESISTANT KIT
2542	DUAL CHECK VACUUM BREAKER 1/4" FEMALE X 1/4" MALE



SINGLE WALL / BACKSPASH POT FILLER HOSE UNITS

BRASS	DESCRIPTION
2740	SINGLE WALL / BACKSPASH W/ SWIVEL ELBOW VACUUM BREAKER & 60" HOSE
ACCESSORIES	
2400-2103	CLOSE ELBOWS
10006	SUPPLY LINES 1/2" F X 1/2" M X 36" LONG (2 EACH. REQUIRES CLOSE ELBOWS)
75557	EZ INSTALL ADAPTER KIT INCLUDES ADAPTERS FOR T&S, CHICAGO & KROWNE
2976	VANDAL RESISTANT KIT



SINGLE WALL / BACKSPASH POT FILLER HOSE UNITS

BRASS	DESCRIPTION
2750	SINGLE WALL / BACKSPASH W/ SWIVEL ELBOW & 60" HOSE
ACCESSORIES	
2400-2103	CLOSE ELBOWS
10006	SUPPLY LINES 1/2" F X 1/2" M X 36" LONG (2 EACH. REQUIRES CLOSE ELBOWS)
75557	EZ INSTALL ADAPTER KIT INCLUDES ADAPTERS FOR T&S, CHICAGO & KROWNE
2976	VANDAL RESISTANT KIT
2542	DUAL CHECK VACUUM BREAKER 1/4" FEMALE X 1/4" MALE

GLASS FILLER HOSE UNITS

BRASS	DESCRIPTION
1465	GLASS FILLER WITH 60" HOSE
ACCESSORIES	
6343	DECK FLANGE
2542	DUAL CHECK VACUUM BREAKER 1/4" FEMALE X 1/4" MALE



NIPPLES FOR ADJ. WALL UNITS

BRASS	DESCRIPTION
64238	NIPPLES FOR 1/2" ADJ. WALL UNITS 1/2" NPT MALE X 1/2" NPT MALE X 1 3/4" LONG W/ SLIP JOINT KIT (2 EACH)
2200-0000	NIPPLE FOR 1/2" UNITS 1/2" NPT MALE X 1/2" NPT MALE X 1 3/4" LONG W/SLIP JOINT KIT



ELBOWS FOR ADJ. WALL W/ NIPPLE & BACKSPASH UNITS

BRASS	DESCRIPTION
2400-2103	ELBOWS FOR 1/2" WALL W/ NIPPLES & BACKSPASH PRE-RINSES UNITS 1/2" NPT FEMALE X 1/2" NPT FEMALE
64211	ELBOWS FOR 1/2" WALL W/ NIPPLES & BACKSPASH PRE-RINSES UNITS 1/2" NPT FEMALE X 1/2" NPT FEMALE (2 EACH)



SUPPLY LINES FOR 1/2" UNITS

BRASS	DESCRIPTION
10006	SUPPLY LINES FOR 1/2" FEMALE X 1/2" MALE X 36" LONG
64351	SUPPLY LINES FOR 1/2" FEMALE X 1/2" MALE X 36" LONG (2 EACH)
10022	SUPPLY LINES FOR 1/2" FEMALE X 1/2" FEMALE X 36" LONG
75625	SUPPLY LINES FOR 1/2" FEMALE X 1/2" FEMALE X 36" LONG (2 EACH)



EZ INSTALL ADAPTERS

BRASS	DESCRIPTION
75557	EZ INSTALL ADAPTER KIT INCLUDES ADAPTERS FOR T&S, CHICAGO & KROWNE



DUAL CHECK VALVES & VACUUM BREAKERS

BRASS	DESCRIPTION
2542	DUAL CHECK VACUUM BREAKER 3/4"-14 FEMALE X 3/4"-14 MALE



SPRAY VALVE BRUSH

BRASS	DESCRIPTION
2949-9001	SPRAY VALVE BRUSH



DECK FLANGE

BRASS	DESCRIPTION
6343	DECK FLANGE



1/2" CHECK STEM REPAIR KIT

BRASS	DESCRIPTION
2000-0004	RH CHECK STEM REPAIR KIT
2000-0005	LH CHECK STEM REPAIR KIT



1/2" SWIVEL STEM REPAIR KIT

BRASS	DESCRIPTION
3000-0000	RH SWIVEL STEM REPAIR KIT



8" BACKSPASH CONTROL VALVE

BRASS LEVER HANDLES	DESCRIPTION
13161	SWIVEL OUTLET / CHECK STEMS
13196	3/8" FEMALE OUTLET / SWIVEL STEMS

*FAUCET BASE USED AS AN OPTION FOR UTILITY/POT FILLERS



8" DECK CONTROL VALVE

BRASS LEVER HANDLES	DESCRIPTION
3300-CV	SWIVEL OUTLET / CHECK STEMS
2300-CV	3/8" FEMALE OUTLET / SWIVEL STEMS

*FAUCET BASE USED AS AN OPTION FOR UTILITY/POT FILLERS



8" ADJ. WALL CONTROL VALVE

BRASS LEVER HANDLES	DESCRIPTION
3200-CV	SWIVEL OUTLET / CHECK STEMS
2200-CV	3/8" FEMALE OUTLET / SWIVEL STEMS



4" BACKSPASH CONTROL VALVE

BRASS LEVER HANDLES	DESCRIPTION
3600-CV	SWIVEL OUTLET / CHECK STEMS
2600-CV	3/8" FEMALE OUTLET / SWIVEL STEMS

*FAUCET BASE USED AS AN OPTION FOR UTILITY/POT FILLERS



4" DECK CONTROL VALVE

BRASS LEVER HANDLES	DESCRIPTION
3500-CV	SWIVEL OUTLET / CHECK STEMS
2500-CV	3/8" FEMALE OUTLET / SWIVEL STEMS

*FAUCET BASE USED AS AN OPTION FOR UTILITY/POT FILLERS



DUAL DECK CONTROL VALVE

BRASS LEVER HANDLES	DESCRIPTION
13072	SWIVEL OUTLET / CHECK STEMS
13080	3/8" FEMALE OUTLET / SWIVEL STEMS

*FAUCET BASE USED AS AN OPTION FOR UTILITY/POT FILLERS



SINGLE WALL / BACKSPASH CONTROL VALVE

BRASS LEVER HANDLES	DESCRIPTION
3700	SWIVEL OUTLET / SWIVEL STEMS
2700	3/8" FEMALE OUTLET / SWIVEL STEMS



SINGLE DECK CONTROL VALVE

BRASS LEVER HANDLES	DESCRIPTION
12815	SWIVEL OUTLET / SWIVEL STEMS
12890	3/8" FEMALE OUTLET / SWIVEL STEMS

*FAUCET BASE USED AS AN OPTION FOR UTILITY/POT FILLERS



SINGLE BACKSPASH BASE

BRASS LEVER HANDLES	DESCRIPTION
3900	SWIVEL OUTLET
3900-0002	3/8" FEMALE OUTLET

*FAUCET USED AS AN OPTION WITH 4" CONTROL VALVE FOR UTILITY/POT FILLERS



SINGLE DECK BASE

BRASS LEVER HANDLES	DESCRIPTION
3800	SWIVEL OUTLET
2903	3/8" FEMALE OUTLET

*FAUCET USED AS AN OPTION WITH 4" CONTROL VALVE FOR UTILITY/POT FILLERS



4" REMOTE CONTROL VALVE

BRASS LEVER HANDLES	DESCRIPTION
2805-CV	CHECK STEMS (REQUIRES BASE)

* USED WITH SINGLE BACKSPASH BASE OR SINGLE DECK BASE FOR UTILITY/POT FILLER



POT FILLER HOSE UNIT SUB-ASSEMBLYS WITH SWIVEL ELBOW VACUUM BREAKER

BRASS	DESCRIPTION
75568	POT FILLER HOSE UNIT SUB-ASSEMBLY WITH SWIVEL ELBOW VACUUM BREAKER & 60" HOSE
75570	POT FILLER HOSE UNIT SUB-ASSEMBLY WITH SWIVEL ELBOW VACUUM BREAKER & 96" HOSE

*INCLUDES SWIVEL ADAPTER FOR MOUNTING TO ADDON FAUCET IF USED



POT FILLER HOSE UNIT SUB-ASSEMBLYS WITH SWIVEL ELBOW

BRASS	DESCRIPTION
75573	POT FILLER HOSE UNIT SUB-ASSEMBLY WITH SWIVEL ELBOW & 60" HOSE
75574	POT FILLER HOSE UNIT SUB-ASSEMBLY WITH SWIVEL ELBOW & 96" HOSE

*INCLUDES SWIVEL ADAPTER FOR MOUNTING TO ADDON FAUCET IF USED



GLASS FILLER HOSE UNIT SUB-ASSEMBLYS WITH SWIVEL ELBOW VACUUM BREAKER

BRASS	DESCRIPTION
75571	GLASS FILLER HOSE UNIT SUB-ASSEMBLY WITH SWIVEL ELBOW VACUUM BREAKER & 60" HOSE
75572	GLASS FILLER HOSE UNIT SUB-ASSEMBLY WITH SWIVEL ELBOW VACUUM BREAKER & 96" HOSE

*INCLUDES SWIVEL ADAPTER FOR MOUNTING TO ADDON FAUCET IF USED



GLASS FILLER HOSE UNIT SUB-ASSEMBLYS WITH SWIVEL ELBOW

BRASS	DESCRIPTION
75575	GLASS FILLER HOSE UNIT SUB-ASSEMBLY WITH SWIVEL ELBOW & 60" HOSE
75576	GLASS FILLER HOSE UNIT SUB-ASSEMBLY WITH SWIVEL ELBOW & 96" HOSE

*INCLUDES SWIVEL ADAPTER FOR MOUNTING TO ADDON FAUCET IF USED



UTILITY SPRAY HOSE UNIT SUB-ASSEMBLYS WITH SWIVEL ELBOW VACUUM BREAKER

BRASS	DESCRIPTION
75577	UTILITY SPRAY HOSE UNIT SUB-ASSEMBLY WITH SWIVEL ELBOW VACUUM BREAKER & 60" HOSE
75579	UTILITY SPRAY HOSE UNIT SUB-ASSEMBLY WITH SWIVEL ELBOW VACUUM BREAKER & 96" HOSE

*INCLUDES SWIVEL ADAPTER FOR MOUNTING TO ADDON FAUCET IF USED



UTILITY SPRAY HOSE UNIT SUB-ASSEMBLYS WITH SWIVEL ELBOW VACUUM BREAKER

BRASS	DESCRIPTION
75580	UTILITY SPRAY HOSE UNIT SUB-ASSEMBLY WITH SWIVEL ELBOW & 60" HOSE
75581	UTILITY SPRAY HOSE UNIT SUB-ASSEMBLY WITH SWIVEL ELBOW & 96" HOSE

*INCLUDES SWIVEL ADAPTER FOR MOUNTING TO ADDON FAUCET IF USED



ADDON FAUCETS

BRASS LEVER HANDLES	DESCRIPTION
2901	ADDON FAUCET W/ 4" RISER W/ 6" SPOUT
2901-12	ADDON FAUCET W/ 4" RISER W/ 12" SPOUT
2901-0000	ADDON FAUCET W/ 4" RISER LESS SPOUT

*REQUIRES 3/8" FEMALE OUTLET CONTROL VALVES



1/2" SWING SPOUTS FOR ADDON FAUCET

BRASS	DESCRIPTION
3960	6" SWING SPOUT
3961	8" SWING SPOUT
3962	10" SWING SPOUT
3963	12" SWING SPOUT
3964	14" SWING SPOUT
3967	16" SWING SPOUT

THIS PAGE INTENTIONALLY BLANK

Fisher reel rinse units make water conveniently available in all areas of the kitchen. Universally designed models are available for ceiling and wall mounts, as well as under counter models for added convenience. All reel rinse units are ready to install and feature 3-ply, 200 lbs. working pressure hoses. The hoses are designed to withstand a continuous operating temperature of 140°F. Installation has been simplified with Fisher's uniquely designed reel rinse control unit which combines all the necessary components into one complete system. Control valves and gauges are completely enclosed within a stainless steel cabinet with only three connections — giving the operator total tamper resistant control. Fisher now offers a 2 year warranty on Hose Reels.

NOTE: In all cases, we suggest that local plumbing codes be followed, especially in the area of cross-flow and backflow prevention.

CHECK OUT THESE HOSE REEL FEATURES:

CAFE STYLE

Cafe style is available open or closed style. Powder coated steel construction and stainless steel. Powder coated steel provides long lasting durability for maximum corrosion resistance. The Stainless Steel quality finish and corrosion resistant components offer the maximum protection from premature corrosion. It's highly durable and corrosion resistant. Reel rinse styles with ratchet lock and easy tension adjustment. Furnished with 3/8" ID hose rated at 200 PSI, and 160°F water temperature. Water inlet is 3/8" Male NPT.

INDUSTRIAL DUTY STYLE

Industrial Duty Style available open and closed style. All Stainless Steel construction, with ratchet lock and easy tension adjustment. Furnished with 1/2" or 3/8" ID hose rated at 200 PSI, and 160°F water temperature. Water inlet is 1/2" Female NPT.



Fisher's Reel Rinse Control Unit



OPEN POWDER COATED STEEL REEL

ITEM	DESCRIPTION
29801	WALL MOUNT OPEN REEL W/ 30' HOSE & PRO SPRAY VALVE - WHITE ENAMEL PAINT



UNDER COUNTER OPEN POWDER COATED STEEL REEL

ITEM	DESCRIPTION
29841	UNDER COUNTER MOUNT OPEN REEL W/ 20' HOSE AND UTILITY SPRAY - WHITE ENAMEL PAINT 12" SPOOL



ENCLOSED POWDER COATED STEEL REELS

ITEM	DESCRIPTION
29851	WALL MOUNT ENCLOSED REEL W/ 30' HOSE & PRO SPRAY VALVE - WHITE ENAMEL PAINT COVER PRO
32027	CEILING MOUNT ENCLOSED REEL W/ 30' HOSE & PRO SPRAY VALVE - WHITE ENAMEL PAINT COVER



ENCLOSED REELS

ITEM	DESCRIPTION
75221	WALL MOUNT ENCLOSED REEL W/ 30' HOSE & SPRAY VALVE - STAINLESS STEEL COVER
75222	CEILING MOUNT ENCLOSED REEL W/ 30' HOSE & SPRAY VALVE - STAINLESS STEEL COVER



OPEN STAINLESS STEEL REELS

ITEM	DESCRIPTION
75395	WALL MOUNT OPEN REEL W/ 50' HOSE & SPRAY VALVE - STAINLESS STEEL CONSTRUCTION
ACCESSORIES	
75199	SWING WALL BRACKET FOR OPEN STAINLESS STEEL CONSTRUCTED HOSE REELS
75200	PIVOT FLOOR BRACKET FOR OPEN STAINLESS STEEL CONSTRUCTED HOSE REELS



HOSE REEL SWING WALL BRACKETS

ITEM	DESCRIPTION
75199	SWING WALL BRACKET FOR OPEN STAINLESS STEEL CONSTRUCTED HOSE REELS



OPEN STAINLESS STEEL REEL

ITEM	DESCRIPTION
75397	WALL MOUNT OPEN REEL W/ 50' HOSE & SPRAY GUN - STAINLESS STEEL CONSTRUCTION
ACCESSORIES	
75199	SWING WALL BRACKET FOR OPEN STAINLESS STEEL CONSTRUCTED HOSE REELS
75200	PIVOT FLOOR BRACKET FOR OPEN STAINLESS STEEL CONSTRUCTED HOSE REELS



HOSE REEL PIVOT FLOOR BRACKETS

ITEM	DESCRIPTION
75200	PIVOT FLOOR BRACKET FOR OPEN STAINLESS STEEL CONSTRUCTED HOSE REELS



REEL RINSE CONTROL UNIT

BRASS	DESCRIPTION
1801	REEL RINSE CONTROL UNIT



REEL RINSE EXPOSED PIPING INSTALLATION KIT

BRASS	DESCRIPTION
29475	REEL RINSE EXPOSED PIPING INSTALLATION KIT



REEL RINSE CONCEALED PIPING INSTALLATION KIT

BRASS	DESCRIPTION
28266	REEL RINSE CONCEALED PIPING INSTALLATION KIT



WALL MOUNTED REEL RINSE UNIT INSTALLATION KIT

BRASS	DESCRIPTION
28231	WALL MOUNTED REEL RINSE UNIT INSTALLATION KIT



1/2" ANTI-SPILL VACUUM BREAKER

BRASS	DESCRIPTION
14443	1/2" ANTI-SPILL VACUUM BREAKER



1/2" WALL MOUNT ANTI-SPILL VACUUM BREAKER

BRASS	DESCRIPTION
14540	1/2" WALL MOUNT ANTI-SPILL VACUUM BREAKER



ATMOSPHERIC VACUUM BREAKERS

BRASS	DESCRIPTION
2932-8000	ATMOSPHERIC VACUUM BREAKERS 1/4" FEMALE INLET X 1/4" FEMALE OUTLET
2932-8002	ATMOSPHERIC VACUUM BREAKERS 3/8" FEMALE INLET X 3/8" FEMALE OUTLET
75117	ATMOSPHERIC VACUUM BREAKERS 1/2" FEMALE INLET X 1/2" FEMALE OUTLET
2935-8000	ATMOSPHERIC VACUUM BREAKERS 3/4" FEMALE INLET X 3/4" FEMALE OUTLET



1/2" EXPOSED STOPS

BRASS	DESCRIPTION
2933	1/2" EXPOSED STOP W/ SWIVEL STEM
17639	1/2" EXPOSED STOP W/ CHECK STEM



1/2" CONCEALED STOP

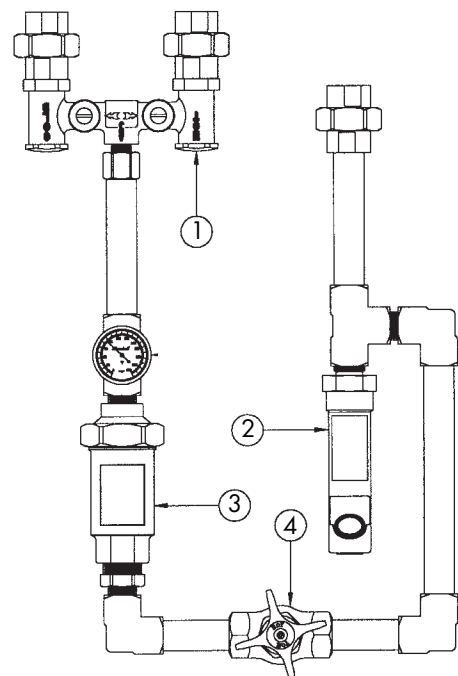
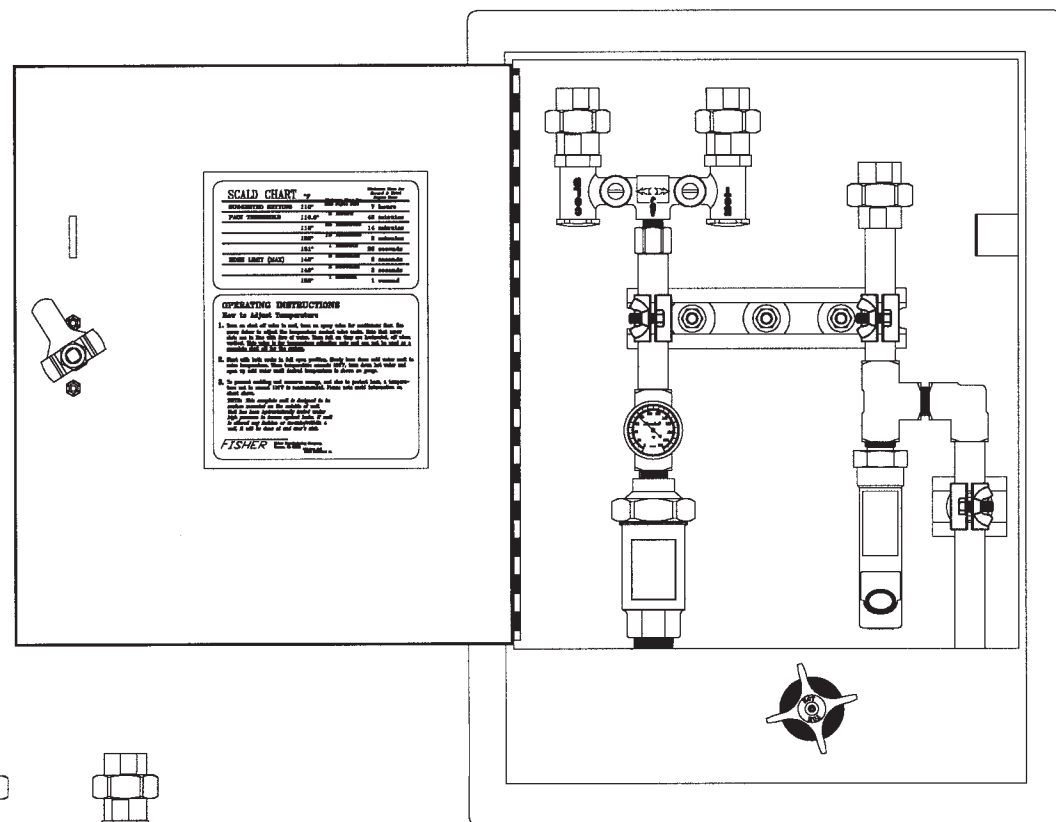
BRASS	DESCRIPTION
13676	1/2" CONCEALED STOP W/ SWIVEL STEM



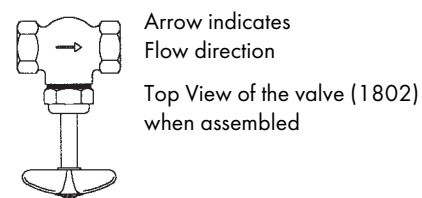
1/2" CHECK VALVE

BRASS	DESCRIPTION
2936-9000	1/2" CHECK VALVES

REEL RINSE CONTROL BOX

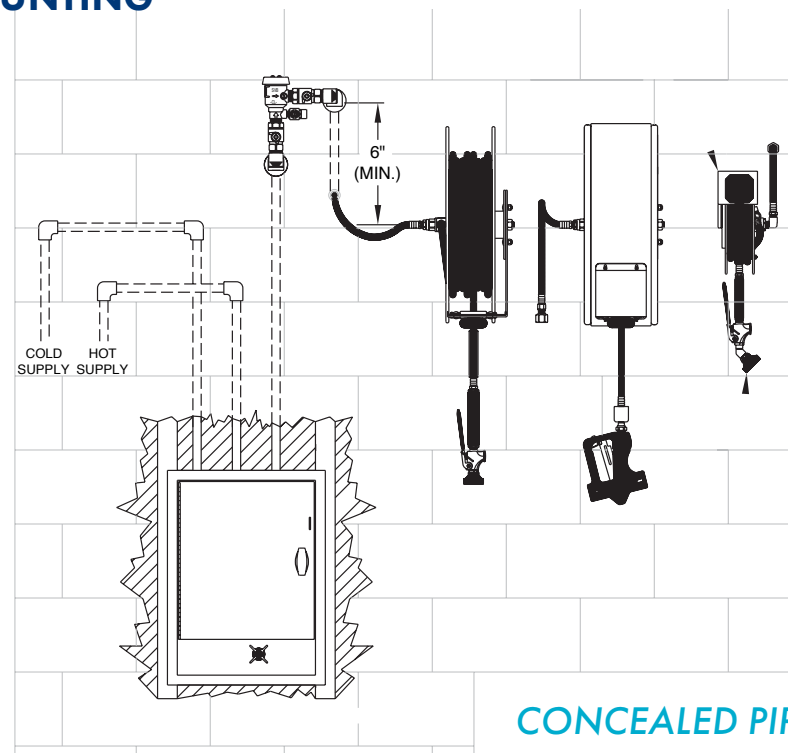


- #1801 Consists of:
- ① #2970-3— Temperature Control Valve 1/2" (page 86, 96)
 - ② #2937-9000 — Accessory Water Silencer
 - ③ #1803 — Backflow Preventer
 - ④ #1802 — Shut-Off Control Valve Concealed



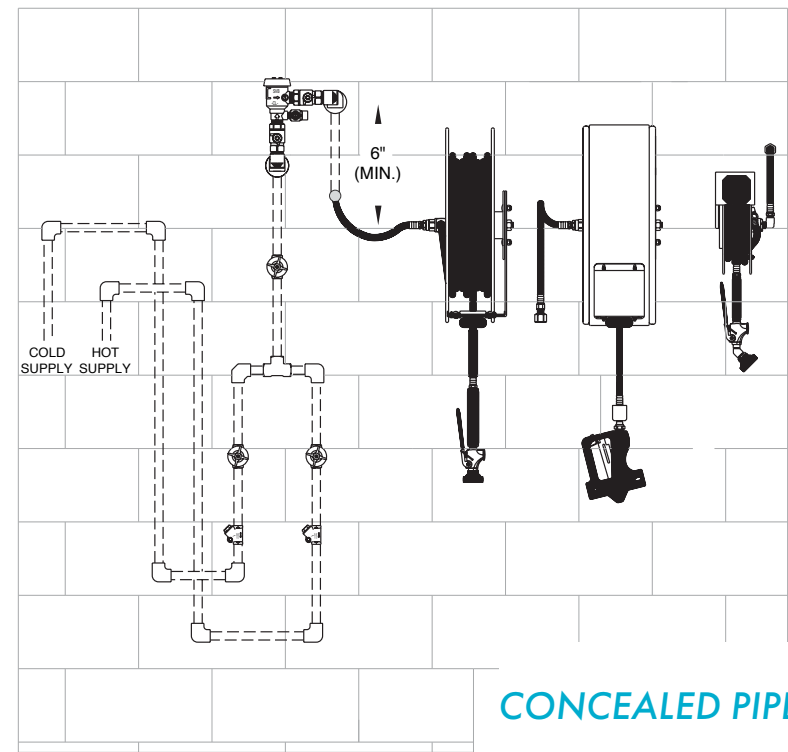
THIS PAGE INTENTIONALLY BLANK

CONCEALED MOUNTING



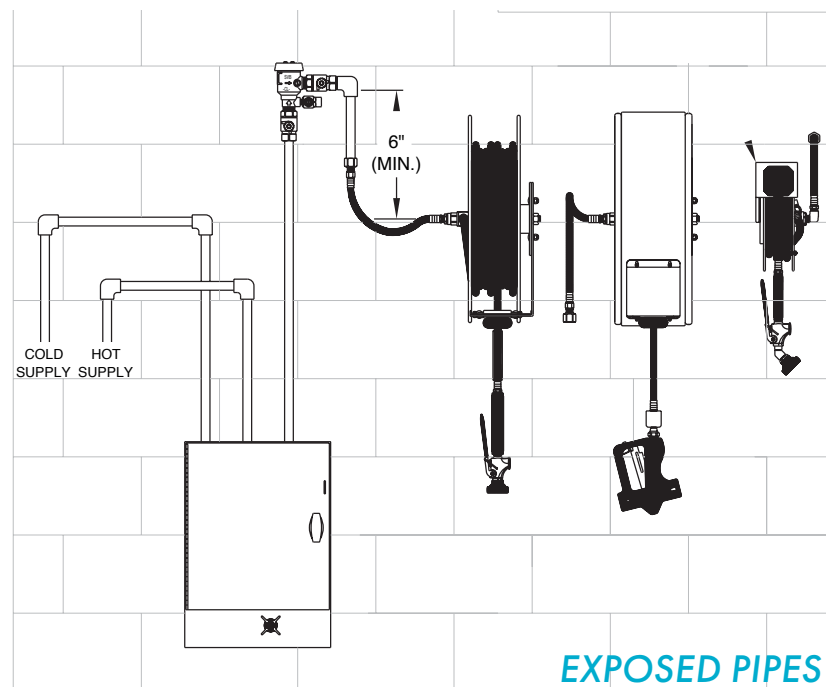
CONCEALED PIPES

CONCEALED MOUNTING



CONCEALED PIPES

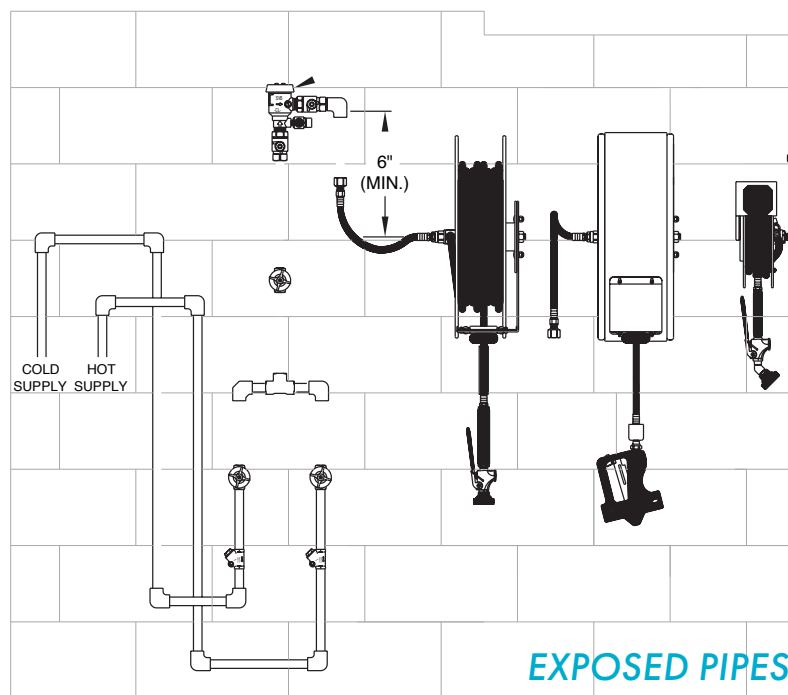
EXPOSED MOUNTING



EXPOSED PIPES

* PIPES ARE NOT SUPPLIED BY FISHER MFG CO.

EXPOSED MOUNTING



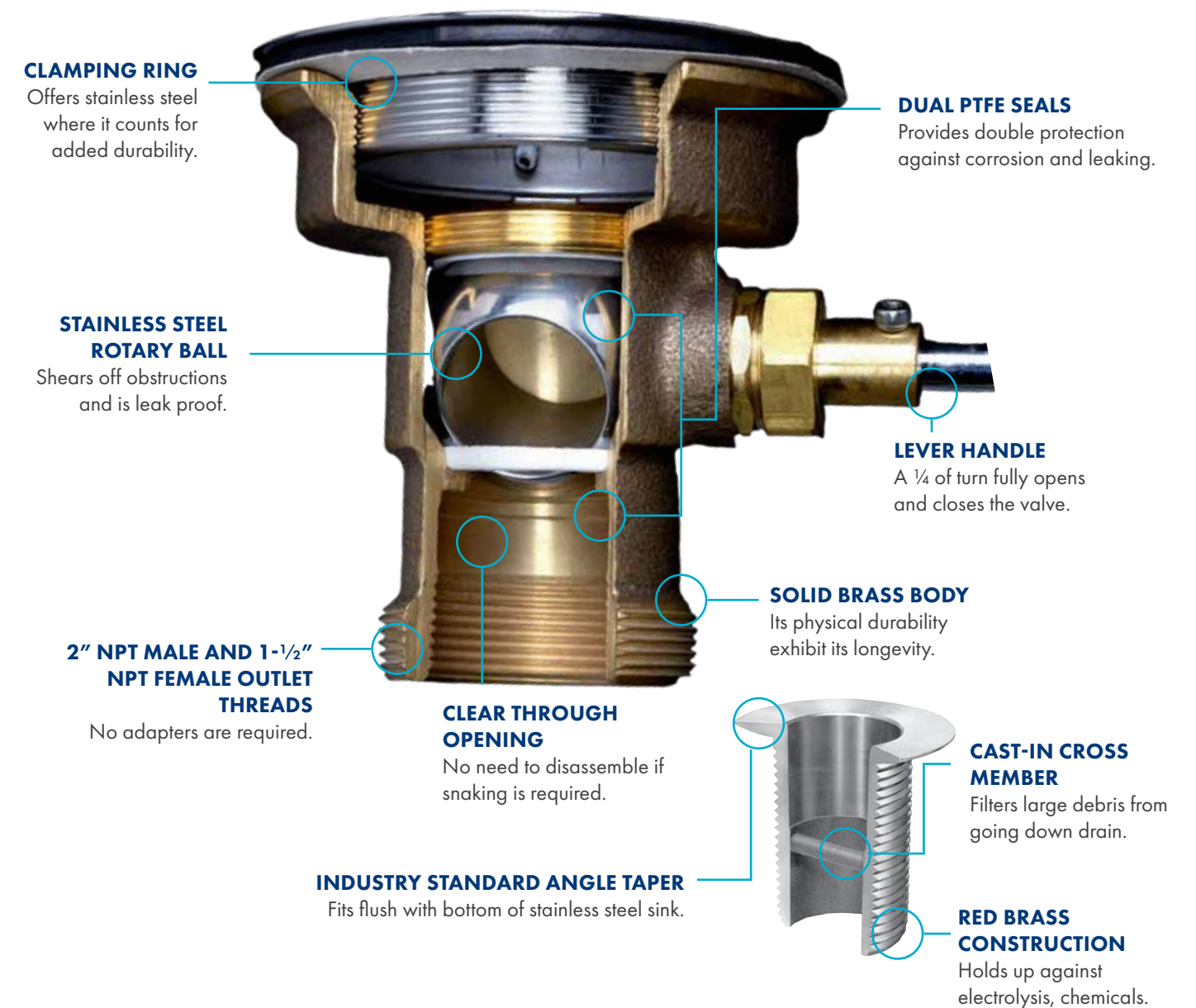
EXPOSED PIPES

* PIPES ARE NOT SUPPLIED BY FISHER MFG CO.

The next generation of Rotary Waste Valves is here the Draining™ by Fisher! The Draining™ features a revolutionary design engineered to withstand the harsh conditions and chemicals found in today's food services operations. The Draining's value approach to this increasing problem places durable stainless steel only where its needed to ensure the durability that Fisher products are known for. Over the years Fisher Waste Valves have acquired an outstanding reputation as the forerunner in quality and we know the Draining™ will be no exception!

*Our Draining has a 99 year warranty and 1 year warranty on lever handle.

CHECK OUT THE THESE DRAINING™ FEATURES:



THIS PAGE INTENTIONALLY BLANK



DRAINING W/ FLAT STRAINERS & LEVER HANDLE

ITEM	DESCRIPTION
22209	DRAINING W/ FLAT STRAINER - BRASS FINISH
28932	DRAINING W/ FLAT STRAINER - CHROME FINISH
ACCESSORIES	
23590	DRAINING FLAT STRAINERS VANDAL RESISTANT KIT
73470	DRAINING VANDAL RESISTANT KNOB (INCLUDES SCREW)
6129	2" X 6" LONG TAILPIECE CHROME - FITS DRAININGS AND 2" WASTE SOCKETS



SINK DRAIN ASSEMBLY

ITEM	DESCRIPTION
6556	1 1/2" CAST BRASS SINK DRAIN ASSEMBLY W/ BASKET STRAINER
30376	1 1/2" STAINLESS STAMPED SINK DRAIN ASSEMBLY W/ BASKET STRAINER



DRAINING W/ FLAT STRAINERS, OVERFLOW ASSEMBLY & LEVER HANDLE

ITEM	DESCRIPTION
22306	DRAINING W/ FLAT STRAINER & 19" X 21" OVERFLOW TUBE & ELBOW - BRASS FINISH
28940	DRAINING W/ FLAT STRAINER & 19" X 21" OVERFLOW TUBE & ELBOW - CHROME FINISH
22322	DRAINING W/ FLAT STRAINER & 14" X 16" OVERFLOW TUBE & ELBOW - BRASS FINISH
28967	DRAINING W/ FLAT STRAINER & 14" X 16" OVERFLOW TUBE & ELBOW - CHROME FINISH
22438	DRAINING W/ FLAT STRAINER WITHOUT OVERFLOW TUBE & ELBOW - BRASS FINISH
29033	DRAINING W/ FLAT STRAINER W/OUT OVERFLOW TUBE & ELBOW - CHROME FINISH
ACCESSORIES	
23590	DRAINING FLAT STRAINERS VANDAL RESISTANT KIT
73470	DRAINING VANDAL RESISTANT KNOB (INCLUDES SCREW)
6129	2" X 6" LONG TAILPIECE CHROME - FITS DRAININGS AND 2" WASTE SOCKETS



3/4" WASTE SOCKETS

ITEM	DESCRIPTION
6642-2100	3/4" X 1 3/4" LONG WASTE SOCKET - BRASS
10448	3/4" X 1 3/4" LONG WASTE SOCKET - BRASS CHROME FINISH
ACCESSORIES	
6651-9000	3/4" LOCKNUT - BRASS
1400-5000	3/4" GASKET - NEOPRENE
6673-4300	FITS 3/4" WASTE SOCKETS X 3" TALL - BRASS CHROME FINISH



DRAINING W/ LOCKING BASKET STRAINERS & LEVER HANDLE

ITEM	DESCRIPTION
22349	DRAINING W/ LOCKING BASKET STRAINER - BRASS FINISH
28983	DRAINING W/ LOCKING BASKET STRAINER - CHROME FINISH
ACCESSORIES	
73470	DRAINING VANDAL RESISTANT KNOB (INCLUDES SCREW)
6129	2" X 6" LONG TAILPIECE CHROME - FITS DRAININGS AND 2" WASTE SOCKETS



1" WASTE SOCKETS

ITEM	DESCRIPTION
6240-2100	1" X 2" LONG WASTE SOCKET - BRASS
6440-2100	1" X 4" LONG WASTE SOCKET - BRASS
84085	1" X 2" LONG WASTE SOCKET, LOCKNUT & GASKET - BRASS
84093	1" X 4" LONG WASTE SOCKET, LOCKNUT & GASKET - BRASS
6241-2400	1" X 2" LONG WASTE SOCKET - BRASS CHROME FINISH
6441-2400	1" X 4" LONG WASTE SOCKET - BRASS CHROME FINISH
ACCESSORIES	
6250-2100	1" LOCKNUT - BRASS
6280-5000	1" GASKET - NEOPRENE



DRAINING W/ LOCKING BASKET STRAINERS, OVERFLOW ASSEMBLY & LEVER HANDLE

ITEM	DESCRIPTION
22314	DRAINING W/ LOCKING BASKET STRAINER & 19" X 21" OVERFLOW TUBE & ELBOW - BRASS FINISH
28959	DRAINING W/ LOCKING BASKET STRAINER & 19" X 21" OVERFLOW TUBE & ELBOW - CHROME FINISH
22330	DRAINING W/ LOCKING BASKET STRAINER & 14" X 16" OVERFLOW TUBE & ELBOW - BRASS FINISH
28975	DRAINING W/ LOCKING BASKET STRAINER & 14" X 16" OVERFLOW TUBE & ELBOW - CHROME FINISH
22411	DRAINING W/ LOCKING BASKET STRAINER WITHOUT OVERFLOW TUBE & ELBOW - BRASS FINISH
29025	DRAINING W/ LOCKING BASKET STRAINER WITHOUT OVERFLOW TUBE & ELBOW - CHROME FINISH
ACCESSORIES	
73470	DRAINING VANDAL RESISTANT KNOB (INCLUDES SCREW)
6129	2" X 6" LONG TAILPIECE CHROME - FITS DRAININGS AND 2" WASTE SOCKETS



1 1/2" WASTE SOCKETS

ITEM	DESCRIPTION
6540-2100	1 1/2" X 1 1/2" LONG WASTE SOCKET - BRASS
6541-2400	1 1/2" X 1 1/2" LONG WASTE SOCKET - BRASS CHROME FINISH
ACCESSORIES	
6550-2100	1 1/2" LOCKNUT - BRASS
6580-5000	1 1/2" GASKET - FIBER
6544-0000	1 1/2" X 4" LONG TAILPIECE BRASS CHROME FINISH - FITS DRAINS AND 1 1/2" WASTE SOCKETS



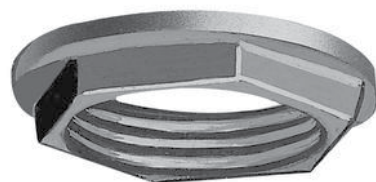
DRAINING FLAT STRAINERS VANDAL RESISTANT KIT

ITEM	DESCRIPTION
23590	DRAINING FLAT STRAINERS VANDAL RESISTANT KIT



DRAINING VANDAL RESISTANT KNOB

ITEM	DESCRIPTION
73470	DRAINING VANDAL RESISTANT KNOB (INCLUDES SCREW)



LOCKNUT

ITEM	DESCRIPTION
6651-9000	¾" LOCKNUT BRASS
6250-2100	1" LOCKNUT BRASS
6550-2100	1-½" LOCKNUT BRASS
6750-9000	2" LOCKNUT BRASS



GASKETS

ITEM	DESCRIPTION
1400-5000	¾" GASKET - NEOPRENE
6280-5000	1" GASKET - NEOPRENE
6580-5000	1 ½" GASKET - FIBER



TAILPIECE

STAINLESS	DESCRIPTION
6544-0000	1 ½" X 46" LONG TAILPIECE CHROME - FITS DRAINS AND 1 ½" WASTE SOCKETS
6129	2" X 6" LONG TAILPIECE CHROME - FITS DRAININGS AND 2" WASTE SOCKETS



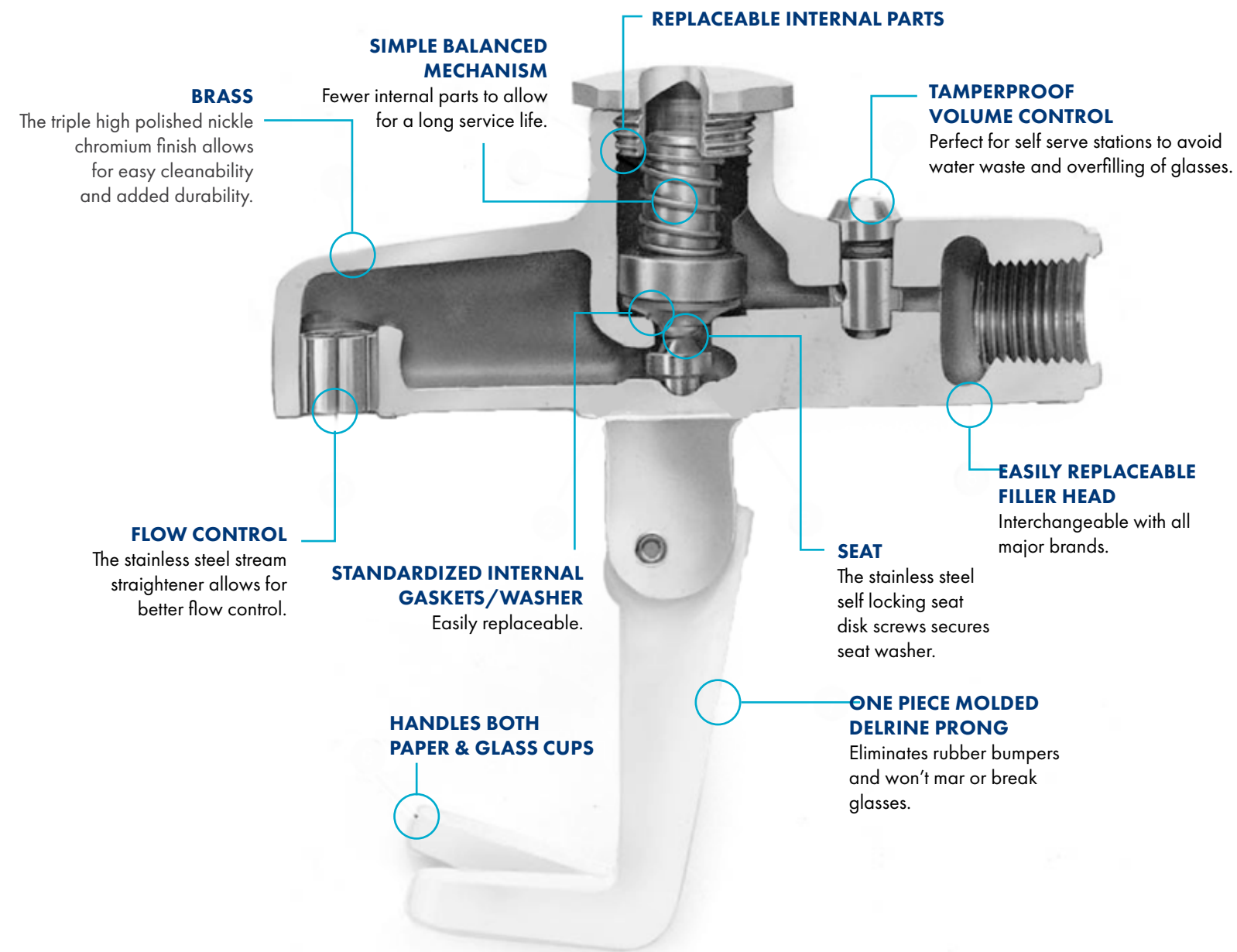
STANDPIPE

STAINLESS	DESCRIPTION
6673-4300	FITS ¾" WASTE SOCKETS X 3" TALL - BRASS CHROME FINISH

GLASS FILLER - BRASS

Fisher glass fillers feature great looks with a simplistic design and high quality construction for a long service life. They are available in your choice of models to meet virtually any water service installation and need. They are ideal for restaurants, schools, healthcare facilities, grocery/retail facilities, hospitality facilities, and convenience stores. Fisher now has a 4 year warranty on brass.

CHECK OUT THESE GLASS FILLER FEATURES:



**ANSI/NSF 61,
SECTION 9 CERTIFIED**



PEDESTAL GLASS FILLER

BRASS	DESCRIPTION
1007	8" PEDESTAL GLASS FILLER
1008	10" PEDESTAL GLASS FILLER
12513	12" PEDESTAL GLASS FILLER
12726	14" PEDESTAL GLASS FILLER

PEDESTAL GLASS FILLER W/ SINK

BRASS	DESCRIPTION
1400	10" PEDESTAL GLASS FILLER W/ SINK
89494	12" PEDESTAL GLASS FILLER W/ SINK
83895	14" PEDESTAL GLASS FILLER W/ SINK

PEDESTAL GLASS FILLER W/ ADD-ON FAUCET & 6" SPOUT

BRASS	DESCRIPTION
1009	8" PEDESTAL GLASS FILLER W/ 6" SWING SPOUT

ICE MACHINE GLASS FILLER

BRASS	DESCRIPTION
9033	GLASS FILLER 1/4" FEMALE X 1/2" MALE W/ 1/4" TUBE FITTING

SPRING STYLE GLASS RACK GLASS FILLER

BRASS LEVER HANDLE	DESCRIPTION
1117-WB	SINGLE DECK
ACCESSORIES	
10022	SUPPLY LINE 1/2" F X 1/2" F X 36" LONG
2976	VANDAL RESISTANT KIT

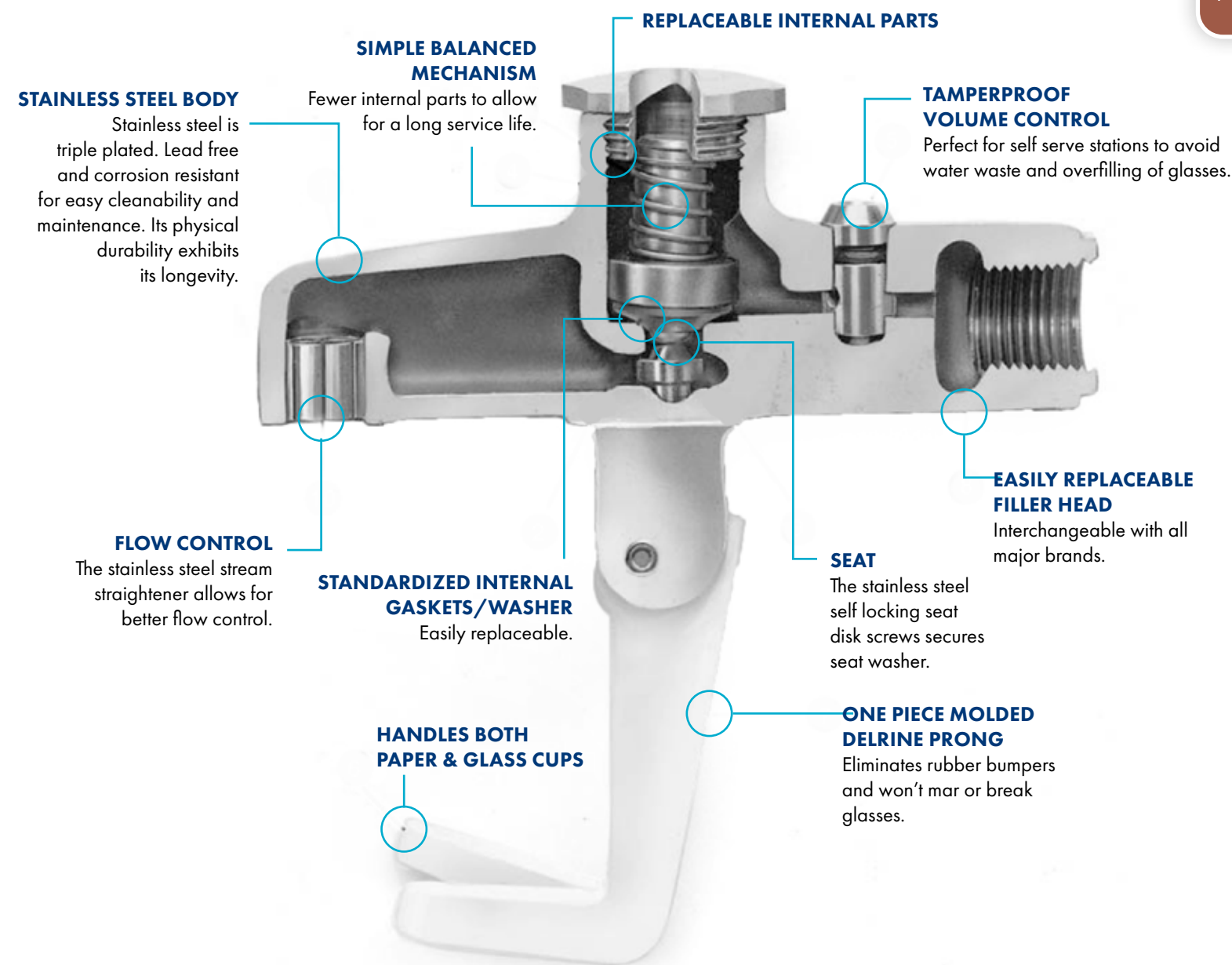
GLASS FILLER REPAIR KIT

BRASS	DESCRIPTION
11347	GLASS FILLER REPAIR KIT

GLASS FILLER - STAINLESS STEEL

Fisher glass fillers feature great looks with a simplistic design and high quality construction for a long service life. They are available in your choice of models to meet virtually any water service installation and need. They are ideal for restaurants, schools, healthcare facilities, grocery/retail facilities, hospitality facilities, and convenience stores. Fisher now has a 10 year warranty on stainless steel.

CHECK OUT THESE GLASS FILLER FEATURES:



**ANSI/NSF 61,
SECTION 9 CERTIFIED**



PEDESTAL GLASS FILLER

STAINLESS	DESCRIPTION
54194	8" PEDESTAL GLASS FILLER
54186	10" PEDESTAL GLASS FILLER
59099	12" PEDESTAL GLASS FILLER
59102	14" PEDESTAL GLASS FILLER



PEDESTAL GLASS FILLER W/ SINK

STAINLESS	DESCRIPTION
54208	10" PEDESTAL GLASS FILLER W/ SINK
59110	12" PEDESTAL GLASS FILLER W/ SINK
59129	14" PEDESTAL GLASS FILLER W/ SINK



PEDESTAL GLASS FILLER W/ ADD-ON FAUCET & 6" SPOUT

STAINLESS	DESCRIPTION
40959	8" PEDESTAL GLASS FILLER W/ 6" SWING SPOUT



ICE MACHINE GLASS FILLER

STAINLESS	DESCRIPTION
54224	GLASS FILLER 1/4" FEMALE X 1/2" MALE W/ 1/4" TUBE FITTING

THIS PAGE INTENTIONALLY BLANK



GLASS FILLER REPAIR KIT

STAINLESS	DESCRIPTION
71412	GLASS FILLER REPAIR KIT



8" BACKSPASH CONTROL VALVE

BRASS LEVER HANDLES	DESCRIPTION
13153	SWIVEL OUTLET / SWIVEL STEMS
13161	SWIVEL OUTLET / CHECK STEMS
13188	3/8" FEMALE OUTLET / SWIVEL STEMS
13196	3/8" FEMALE OUTLET / CHECK STEMS



8" DECK CONTROL VALVE

BRASS LEVER HANDLES	DESCRIPTION
3300	SWIVEL OUTLET / SWIVEL STEMS
3300-CV	SWIVEL OUTLET / CHECK STEMS
2300	3/8" FEMALE OUTLET / SWIVEL STEMS
2300-CV	3/8" FEMALE OUTLET / CHECK STEMS



8" ADJ. WALL CONTROL VALVE

BRASS LEVER HANDLES	DESCRIPTION
3200	SWIVEL OUTLET / SWIVEL STEMS
3200-CV	SWIVEL OUTLET / CHECK STEMS
2200	3/8" FEMALE OUTLET / SWIVEL STEMS
2200-CV	3/8" FEMALE OUTLET / CHECK STEMS



4" BACKSPASH CONTROL VALVE

BRASS LEVER HANDLES	DESCRIPTION
3600	SWIVEL OUTLET / SWIVEL STEMS
3600-CV	SWIVEL OUTLET / CHECK STEMS
2600	3/8" FEMALE OUTLET / SWIVEL STEMS
2600-CV	3/8" FEMALE OUTLET / CHECK STEMS



4" DECK CONTROL VALVE

BRASS LEVER HANDLES	DESCRIPTION
3500	SWIVEL OUTLET / SWIVEL STEMS
3500-CV	SWIVEL OUTLET / CHECK STEMS
2500	3/8" FEMALE OUTLET / SWIVEL STEMS
2500-CV	3/8" FEMALE OUTLET / CHECK STEMS



DUAL DECK CONTROL VALVE

BRASS LEVER HANDLES	DESCRIPTION
13064	SWIVEL OUTLET / SWIVEL STEMS
13072	SWIVEL OUTLET / CHECK STEMS
10529	3/8" FEMALE OUTLET / SWIVEL STEMS
13080	3/8" FEMALE OUTLET / CHECK STEMS



SINGLE WALL / BACKSPASH CONTROL VALVE

BRASS LEVER HANDLES	DESCRIPTION
3700	SWIVEL OUTLET / SWIVEL STEMS
2700	3/8" FEMALE OUTLET / SWIVEL STEMS

*INCLUDES NIPPLE FOR BACKSPASH MOUNTING



SINGLE DECK CONTROL VALVE

BRASS LEVER HANDLES	DESCRIPTION
12815	SWIVEL OUTLET / SWIVEL STEMS
12890	3/8" FEMALE OUTLET / SWIVEL STEMS



CHINESE RANGE CONTROL VALVE

BRASS LEVER HANDLES	DESCRIPTION
4750-0000	SWIVEL OUTLET / SWIVEL STEMS



SINGLE BACKSPASH BASE

BRASS LEVER HANDLES	DESCRIPTION
3900	SWIVEL OUTLET
3900-0002	3/8" FEMALE OUTLET



SINGLE DECK BASE

BRASS LEVER HANDLES	DESCRIPTION
3800	SWIVEL OUTLET
2903	3/8" FEMALE OUTLET



8" BACKSPASH CONTROL VALVE

STAINLESS LEVER HANDLES	DESCRIPTION
61549	SWIVEL OUTLET / SWIVEL STEMS
61662	3/8" FEMALE OUTLET / CHECK STEMS



8" DECK CONTROL VALVE

STAINLESS LEVER HANDLES	DESCRIPTION
67385	SWIVEL OUTLET / SWIVEL STEMS
67407	3/8" FEMALE OUTLET / CHECK STEMS



8" ADJ. WALL CONTROL VALVE

STAINLESS LEVER HANDLES	DESCRIPTION
61565	SWIVEL OUTLET / SWIVEL STEMS
23698	SWIVEL OUTLET / CHECK STEMS
61689	3/8" FEMALE OUTLET / CHECK STEMS



4" BACKSPASH CONTROL VALVE

STAINLESS LEVER HANDLES	DESCRIPTION
62839	SWIVEL OUTLET / SWIVEL STEMS
62936	3/8" FEMALE OUTLET / CHECK STEMS



4" DECK CONTROL VALVE

STAINLESS LEVER HANDLES	DESCRIPTION
67423	SWIVEL OUTLET / SWIVEL STEMS
67458	3/8" FEMALE OUTLET / CHECK STEMS



DUAL DECK CONTROL VALVE

STAINLESS LEVER HANDLES	DESCRIPTION
63592	SWIVEL OUTLET / SWIVEL STEMS
63134	3/8" FEMALE OUTLET / CHECK STEMS



SINGLE WALL / BACKSPASH CONTROL VALVE

STAINLESS LEVER HANDLES	DESCRIPTION
70459	SWIVEL OUTLET / SWIVEL STEMS
70432	3/8" FEMALE OUTLET / SWIVEL STEMS

*INCLUDES NIPPLE FOR BACKSPASH MOUNTING



SINGLE DECK CONTROL VALVE

STAINLESS LEVER HANDLES	DESCRIPTION
66575	SWIVEL OUTLET / SWIVEL STEMS
66591	3/8" FEMALE OUTLET / SWIVEL STEMS



SINGLE BACKSPASH BASE

STAINLESS LEVER HANDLES	DESCRIPTION
3900	SWIVEL OUTLET
3900-0002	3/8" FEMALE OUTLET



SINGLE DECK BASE

STAINLESS LEVER HANDLES	DESCRIPTION
3800	SWIVEL OUTLET
2903	3/8" FEMALE OUTLET



4" REMOTE CONTROL VALVE

BRASS LEVER HANDLES	DESCRIPTION
2805	4" REMOTE CONTROL VALVE W/ SWIVEL STEMS
2805-CV	4" REMOTE CONTROL VALVE W/ CHECK STEMS



PRE-RINSE & FOODGRADE HOSES

PRE-RINSE	FOODGRADE	DESCRIPTION
2916-1512	12297	15" HOSE
12130	12319	21" HOSE
2916-1512	12327	25-1/2" HOSE
12157	12343	30" HOSE
2914	2914-FG	36" HOSE
12165	12351	42" HOSE
12173	12378	48" HOSE
2915	2915-FG	60" HOSE
12203	12394	72" HOSE
12211	12408	84" HOSE
12238	12416	96" HOSE
12254	12432	120" HOSE



1/2" EXPOSED STOPS

BRASS CROSS HANDLES	DESCRIPTION
2933	1/2" EXPOSED STOP W/ SWIVEL STEM
17639	1/2" EXPOSED STOP W/ CHECK STEM



REPLACEMENT PRE-RINSE HOSES

BRASS	DESCRIPTION
2918	36" LENGTH HOSE, HANDLE & ADAPTER OVERALL LENGTH 44" (FITS FISHER & T&S)
2918-68	60" LENGTH HOSE, HANDLE & ADAPTER OVERALL LENGTH 68" (FITS FISHER & T&S)



1/2" CONCEALED STOP

BRASS CROSS HANDLES	DESCRIPTION
13676	1/2" CONCEALED STOP W/ SWIVEL STEM



REPLACEMENT PRE-RINSE HOSE W/ ULTRA SPRAY VALVE

BRASS	DESCRIPTION
2911	36" HOSE, HANDLE & ULTRA SPRAY VALVE (FITS FISHER ONLY)



WALL BRACKET

ITEM	DESCRIPTION
2902-12	WALL BRACKET



GOOSENECK SPRING

BRASS	STAINLESS STEEL	DESCRIPTION
2924-6000	74661	GOOSENECK SPRING
73677	N/A	MINI GOOSENECK SPRING



ADD ON FAUCETS FOR PRE-RINSE UNITS

BRASS LEVER HANDLES	DESCRIPTION
2901-0000	ADDON FAUCET W/ 4" RISER LESS SPOUT
2901	ADDON FAUCET W/ 4" RISER W/ 6" SPOUT
2901-12	ADDON FAUCET W/ 4" RISER W/ 12" SPOUT



3/4" ADDON FAUCETS FOR PRE-RINSE UNITS

BRASS CROSS HANDLES	DESCRIPTION
21482	ADDON FAUCET W/ 4" RISER LESS SPOUT



RISERS FOR PRE-RINSE UNITS

BRASS	DESCRIPTION
72747	2" RISER
72748	4" RISER
2927-4302	12" RISER
2927-4303	16" RISER
2927-4300	21" RISER
72749	25" RISER
72750	31" RISER

PRE-RINSE AND REEL RINSE INSULATED HANDLES

BRASS	DESCRIPTION
2913	PRE-RINSE INSULATED HANDLES 3/4"-14 FEMALE X 3/4"-14 FEMALE
2913-38	REEL RINSE INSULATED HANDLE 3/4"-14 FEMALE X 3/8" NPT FEMALE



HOSE HOOK FOR SPRING PRE-RINSE UNITS

BRASS	DESCRIPTION
2925-6300	HOSE HOOK FOR SPRING PRE-RINSE UNITS



HOSE TO PIPE ADAPTER FOR SPRING PRE-RINSE UNITS

BRASS	DESCRIPTION
2926-3300	HOSE TO PIPE ADAPTER FOR SPRING PRE-RINSE UNITS



CHEMICAL TEE HOSE TO PIPE ADAPTER FOR SPRING PRE-RINSE UNITS

BRASS	DESCRIPTION
72813	HOSE TO PIPE ADAPTER FOR SPRING PRE-RINSE UNITS (FITS FISHER & T&S)



SWIVEL ADAPTER FOR SWIVEL HOSE UNITS

BRASS	DESCRIPTION
2931	SWIVEL ADAPTER FOR 1/2" SWIVEL HOSE UNITS, 1/4" FEMALE OUTLET



SWIVEL VACUUM BREAKER ADAPTER FOR SWIVEL HOSE UNITS

BRASS	DESCRIPTION
2932	SWIVEL VACUUM BREAKER ADAPTER FOR 1/2" SWIVEL HOSE UNITS, 1/4" FEMALE OUTLET
10480	SWIVEL VACUUM BREAKER ADAPTER FOR 3/4" SWIVEL HOSE UNITS, 3/4" FEMALE OUTLET



TEMPERATURE CONTROL VALVE

BRASS	DESCRIPTION
2970-3	TEMPERATURE CONTROL VALVE 1/2" MALE INLETS X 1/2" FEMALE SLIP JOINT OUTLET W/ CHECK VALVES



CHEMICAL TEE FOR 1/2" FAUCETS W/ SWIVEL SPOUTS

BRASS	DESCRIPTION
73110	CHEMICAL TEE FOR 1/2" FAUCETS W/ SWIVEL SPOUTS

3/4" CONTROL SWING SPOUT

BRASS	DESCRIPTION
5071	3/4" CONTROL SWING SPOUT

WALL HOOK

ITEM	DESCRIPTION
2907	WALL HOOK

PIPE HOOK

ITEM	DESCRIPTION
2943	PIPE HOOK

3/4" SWIVEL ADAPTER VACUUM BREAKER

BRASS	DESCRIPTION
10480	3/4" SWIVEL ADAPTER FOR 3/4" POT FILLER HOSE ASSEMBLY

CROSS HANDLE KIT

ITEM	DESCRIPTION
3983	CROSS HANDLE KIT W/ HANDLE, SCREW & RED AND BLUE INDEX BUTTONS

LEVER HANDLE KIT

ITEM	DESCRIPTION
2000-0002	LEVER HANDLE KIT W/ HANDLE, SCREW & RED AND BLUE INDEX BUTTONS

WRIST HANDLE KIT

ITEM	DESCRIPTION
75626	WRIST HANDLE KIT W/ HANDLE, SCREW & RED AND BLUE INDEX BUTTONS (2 EACH)
3984	SINGLE WRIST HANDLE, SCREW, RED/BLUE BUTTON



NIPPLES FOR WALL FAUCETS

BRASS	DESCRIPTION
2200-0000	NIPPLE FOR 1/2" WALL FAUCETS 1/2" NPT MALE X 1/2" NPT MALE X 1 3/4" LONG W/ SLIP JOINT KIT
10219	NIPPLE FOR 3/4" WALL FAUCETS 3/4" NPT MALE X 3/4" NPT MALE X 1 1/4" LONG W/ SLIP JOINT KIT

ELBOWS FOR WALL FAUCETS

BRASS	DESCRIPTION
2400-2103	ELBOWS FOR 1/2" WALL FAUCETS 1/2" NPT FEMALE X 1/2" NPT FEMALE
5000-2103	ELBOWS FOR 3/4" WALL FAUCETS 3/4" NPT FEMALE X 3/4" NPT FEMALE

SUPPLY LINES

BRASS	DESCRIPTION
10022	SUPPLY LINE 1/2" FEMALE X 1/2" FEMALE X 36" LONG
10006	SUPPLY LINE 1/2" FEMALE X 1/2" MALE X 36" LONG

3/4" SWIVEL DOUBLE JOINT

BRASS	DESCRIPTION
5000-0003	10" SWIVEL DOUBLE JOINT

3/4" SPOUTS

BRASS	DESCRIPTION
5000-0001	10" SWIVEL SPOUT
5000-0002	14" SWIVEL SPOUT

VANDAL RESISTANT KIT

ITEM	DESCRIPTION
2976	VANDAL RESISTANT KIT FOR FAUCETS, PRE-RINSE UNITS & HOSE UNITS

3/4" SWIVEL DOUBLE JOINT

BRASS	STAINLESS	DESCRIPTION
5000-0003	54259	10" SWIVEL DOUBLE JOINT



1/2" SPOUT END ATTACHMENTS

BRASS	DESCRIPTION
12564	55-64"-27 FEMALE X 2.20 GPM PERALATOR
73450	55-64"-27 FEMALE X FULL FLOW NEOSTRAL
41718	55-64"-27 FEMALE X 0.35 GPM PCA SPRAY -STAINLESS STEEL
3982-9000	55-64"-27 FEMALE X GARDEN HOSE THREAD MALE
74223	55/64-24 FEMALE X 0.35 GPM PCA SPRAY SPOUT END
75588	13/16-27 MALE X 0.50 GPM PCA SPRAY SPOUT FOR LAVATORY FAUCETS
75587	13/16-27 MALE X 1.00 GPM PERALATOR AERATOR FOR LAVATORY FAUCETS



ULTRA SPRAY VALVE

BRASS	DESCRIPTION
2949	ULTRA SPRAY VALVE PLUS 1.15 GPM KNIFE EDGE SPRAY PATTERN
13641	ULTRA SPRAY VALVE 7 PLUS .70 GPM KNIFE EDGE SPRAY PATTERN



UTILITY SPRAY VALVE

BRASS	DESCRIPTION
2920	UTILITY VALVE 2.15 GPM SHOWER HEAD SPRAY PATTERN



POT FILLER VALVE

BRASS	DESCRIPTION
11061	POT FILLER VALVE FULL FLOW NEOSTRAL SPOUT END



GLASS FILLER VALVE

BRASS	DESCRIPTION
10820	GLASS FILLER VALVE



1/2" SPOUT END ATTACHMENTS

BRASS	DESCRIPTION
9041-9001	55-64"-27 FEMALE X SWIVEL COMBO 2.20 GPM PERALATOR / ROSE SPRAY



JET SPRAY VALVE

BRASS	DESCRIPTION
10863	JET VALVE PLUS 2.45 GPM SINGLE STREAM JET SPRAY PATTERN



GLASS RACK GLASS FILLER VALVE

BRASS	DESCRIPTION
10812	GLASS RACK GLASS FILLER VALVE



UTILITY SPRAY VALVE W/ SHORT SQUEEZE LEVER

BRASS	DESCRIPTION
10073	UTILITY VALVE W/ SHORT SQUEEZE LEVER 2.15 GPM SHOWER HEAD SPRAY PATTERN



QUICK DISCONNECT MULTI PURPOSE VALVE

BRASS	DESCRIPTION
29500	QUICK DISCONNECT MULTI PURPOSE VALVE W/ SHOWER SPRAY, FAN SPRAY, JET SPRAY & POT FILLER



GLASS RACK GLASS FILLER VALVE

BRASS	DESCRIPTION
1704	GLASS FILLER VALVE W/ SHORT SQUEEZE LEVER



SPRAY HEAD

BRASS	DESCRIPTION
2923	SPRAY HEAD W/ HANDLE 2.15 GPM SHOWER HEAD SPRAY PATTERN, 3/8" NPT FEMALE INLET



SPRAY HEAD W/ HANDLE

BRASS	DESCRIPTION
2948	SPRAY HEAD W/ HANDLE 1.15 FAN JET SPRAY PATTERN, 3/4"-14 FEMALE INLET



SPRAY VALVE, POT FILLER VALVE, GLASS FILLER VALVE REPAIR KIT

BRASS	DESCRIPTION
11355	SPRAY VALVE, POTFILLER VALVE, GLASS FILLER VALVE REPAIR KIT